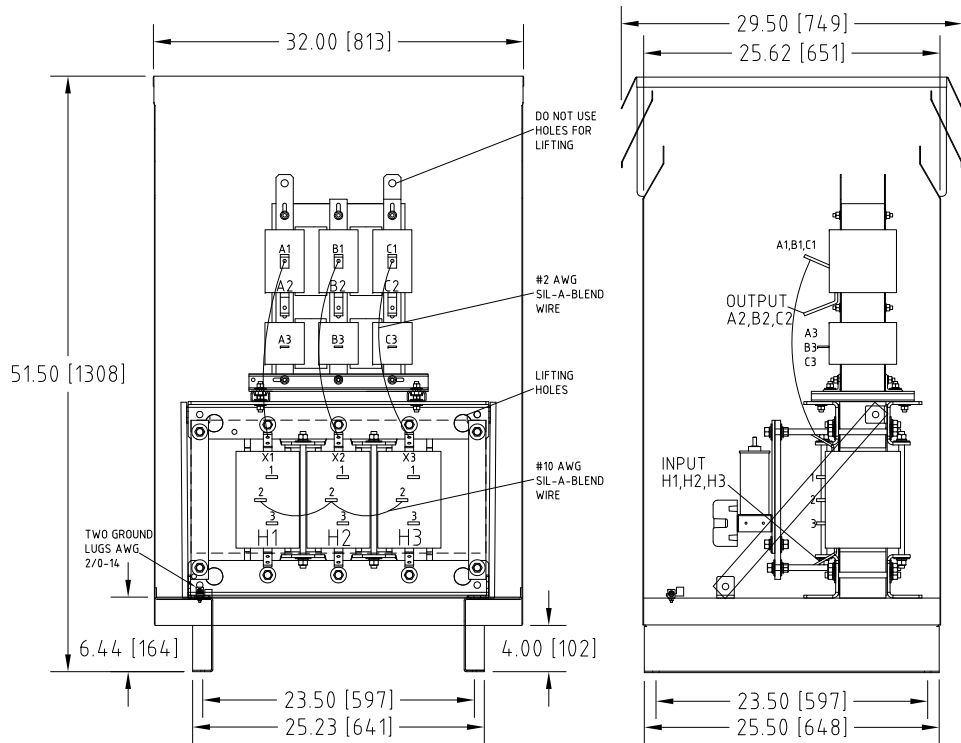
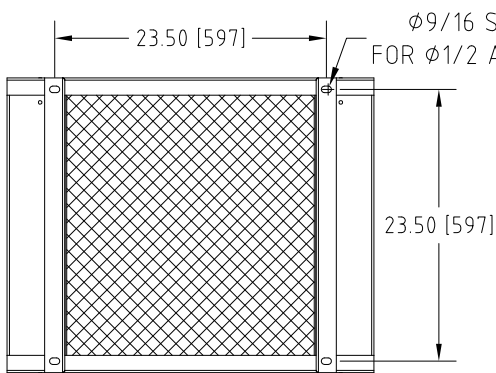


Rev. No.	Revision Note	Date	By	Checked
A7	REVISED ENCLOSURE	23-JAN-2020	CG	AH
A8	REVISED INPUT/OUTPUT TAGGING	14-FEB-2020	BDK	YD

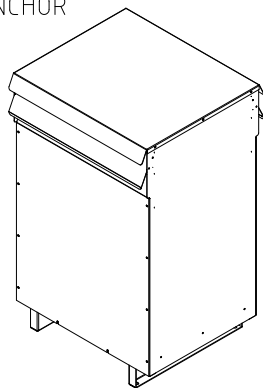


Front View

Side View



Bottom View

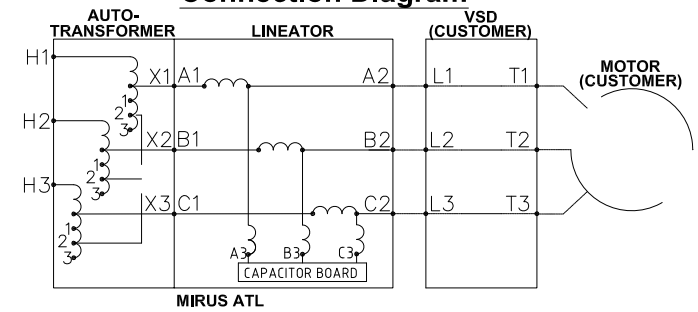


Isometric View

OUTPUT TERMINALS:
A2, B2, C2

INPUT TERMINALS:
H1, H2, H3

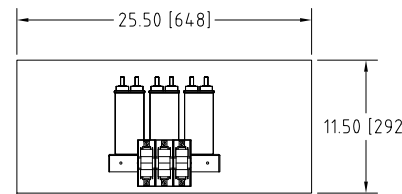
Connection Diagram



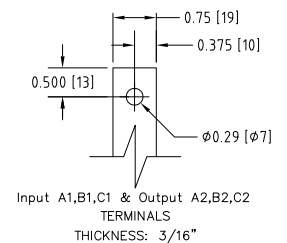
UNIT SPECIFICATIONS				INPUT	OUTPUT	APPROX. WT
HP [kW]	PHASE	VOLTS	Hz	AMPS	kW	lb [kg]
100 [75]	3	600-480	60	90	84	860 [391]

NOTES:

- Customer is responsible for installation to meet all national and local electrical codes and other applicable electrical safety authorities.
- Type 3R Enhanced enclosure suitable for outdoor installation. Only front access is required but minimum 6" clearance should be provided at rear for proper ventilation.



CAPACITOR BOARD



MIRUS International Inc.		31 Sun Pac Boulevard, Brampton, ON, Canada L6S 5P6 Tel: (905) 494-1120 Fax: (905) 494-1140 Toll Free: 1-888-TO MIRUS				
Unless otherwise specified, dimensions are in inches and [mm].	Drawn By EH	Date Created 14-JUL-09	Checked by CG	Approved by - date CG-14-JUL-09	Scale NTS	
The information contained herein is the sole property of MIRUS International Inc. Any form of reproduction, distribution and/or disclosure of this information, all or in part, is strictly prohibited without the express written consent of MIRUS International Inc.		Title 100HP, 600-480V, 60Hz Enclosed Style Translineator ATL		Filename ATL-100-(600-480)-60-D-E1-A8	Revision A8	Sheet 1/1