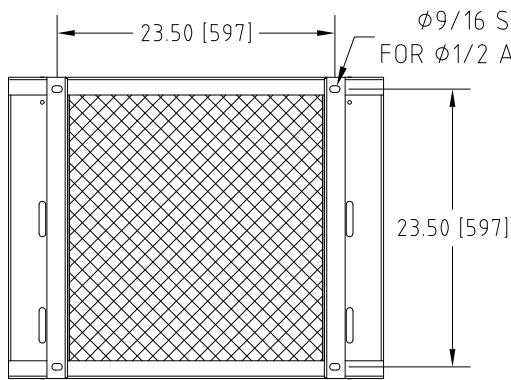
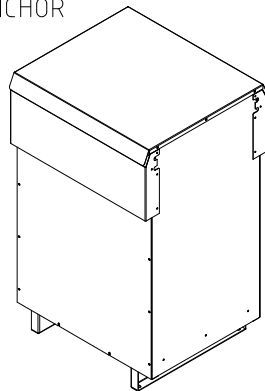


Front View

Side View



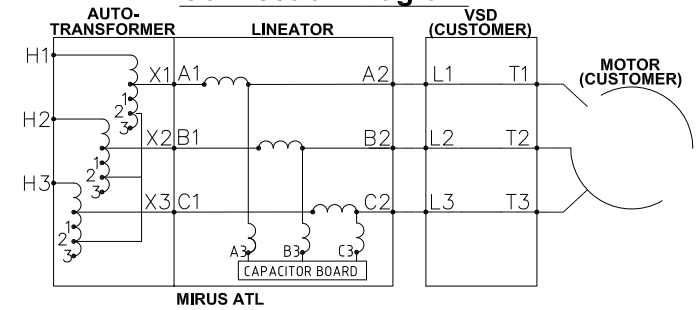
Bottom View



Isometric View

Rev. No.	Revision Note	Date	By	Checked
A7	REVISED ENCLOSURE	23-JAN-2020	CG	AH
A8	REVISED INPUT/OUTPUT TAGGING	14-FEB-2020	BDK	YD

Connection Diagram



MIRUS ATL

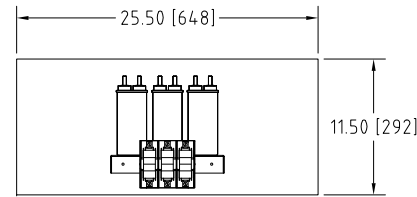
UNIT SPECIFICATIONS				INPUT	OUTPUT	APPROX. WT
HP [kW]	PHASE	VOLTS	Hz	AMPS	kW	lb [kg]
100 [75]	3	600-480	60	90	84	880 [400]

NOTES:

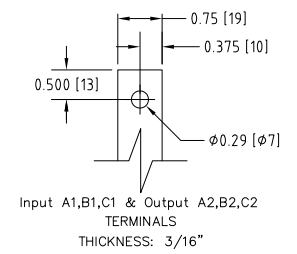
- Customer is responsible for installation to meet all national and local electrical codes and other applicable electrical safety authorities.
- Type 3R Enhanced enclosure suitable for outdoor installation. Only front access is required but minimum 6" clearance should be provided at rear for proper ventilation.

OUTPUT TERMINALS:
A2,B2,C2

INPUT TERMINALS:
H1,H2,H3



CAPACITOR BOARD



Input A1,B1,C1 & Output A2,B2,C2 TERMINALS THICKNESS: 3/16"

MIRUS International Inc. 31 Sun Pac Boulevard, Brampton, ON, Canada L6S 5P6
Tel:(905) 494-1120 Fax: (905) 494-1140 Toll Free: 1-888-TO MIRUS

Unless otherwise specified, dimensions are in inches and [mm].	Drawn By EH	Date Created 14-JUL-09	Checked by CG	Approved by - date CG-14-JUL-09	Scale NTS
--	----------------	---------------------------	------------------	------------------------------------	--------------

The information contained herein is the sole property of MIRUS International Inc. Any form of reproduction, distribution and/or disclosure of this information, all or in part, is strictly prohibited without the express written consent of MIRUS International Inc.

Title 100HP, 600-480V, 60Hz AutoTransLineator ATL (NEMA-3R Enh)	Revision A8	Sheet 1/1
---	----------------	--------------