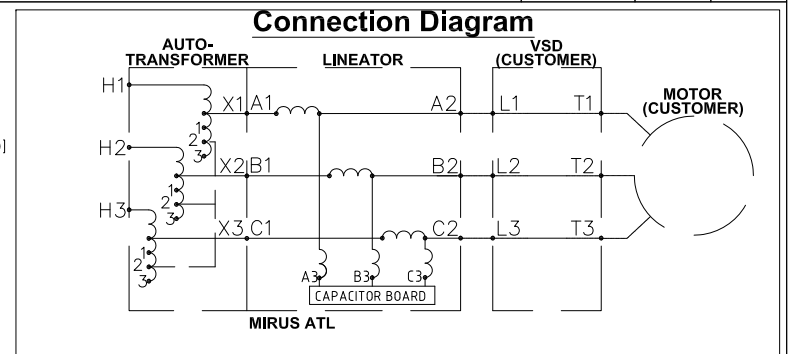


Rev. No.	Revision Note	Date	By	Checked
A1	REVISED MAGNETICS DESIGN	04-FEB-2022	CG	AH
A2	REVISED REACTOR BUSBARS	09-FEB-2022	CG	YD



UNIT SPECIFICATIONS				INPUT	OUTPUT	APPROX. WT
HP [kW]	PHASE	VOLTS	Hz	AMPS	kW	lb [kg]
125 [90]	3	600-460	60	115	104	1000 [454]

NOTES:
 1. Customer is responsible for installation to meet all national and local electrical codes and other applicable electrical safety authorities.
 2. Type 3R Enclosure requires only front access but minimum 6" clearance should be provided at rear for proper ventilation.

MIRUS International Inc. 31 Sun Pac Boulevard, Brampton, ON, Canada L6S 5P6
 Tel: (905) 494-1120 Fax: (905) 494-1140 Toll Free: 1-888-TO MIRUS

Unless otherwise specified, dimensions are in inches and [mm].	Drawn By YM	Date Created 02-JUN-10	Checked by CG	Approved by - date CG-04-FEB-2022	Scale NTS
--	----------------	---------------------------	------------------	--------------------------------------	--------------

The information contained herein is the sole property of MIRUS International Inc. Any form of reproduction, distribution and/or disclosure of this information, all or in part, is strictly prohibited without the express written consent of MIRUS International Inc.

Title 125HP, 600-460V, 60Hz Enclosed Style Translineator ATL	Revision A1	Sheet 1/1
--	----------------	--------------

Filename: ATL-125-600-460-60-D-E1-A1