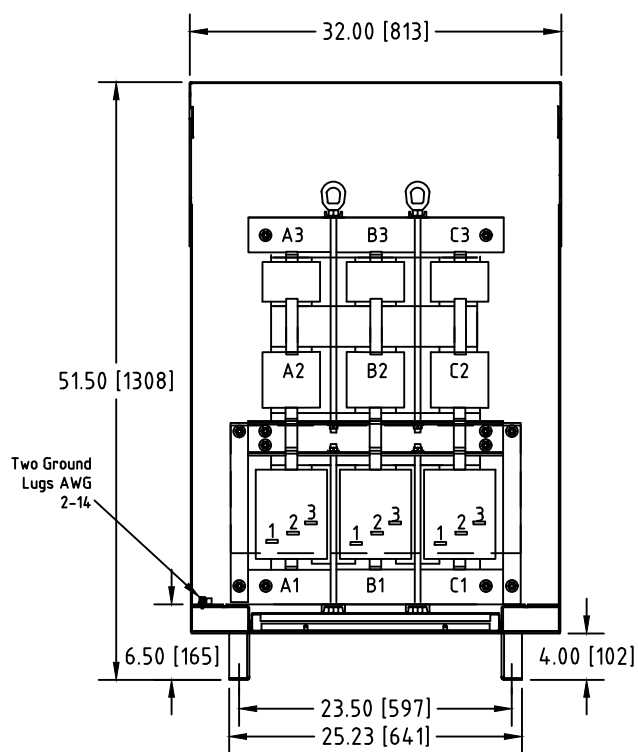
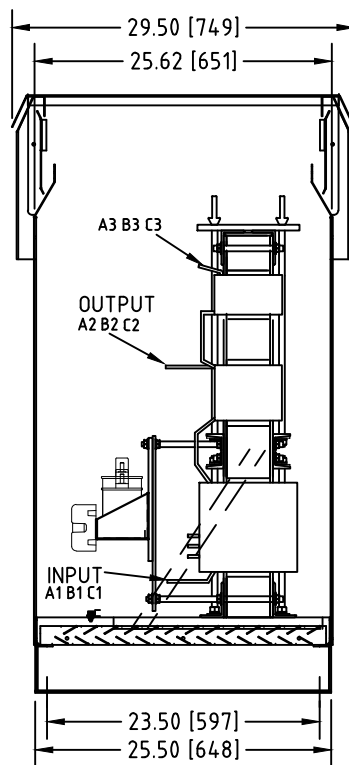


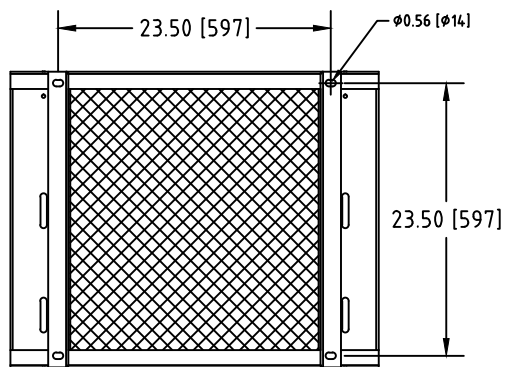
Rev. No.	Revision Note	Date	By	Checked



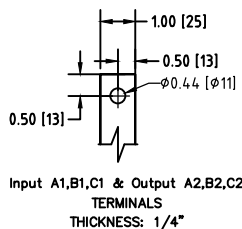
Front View



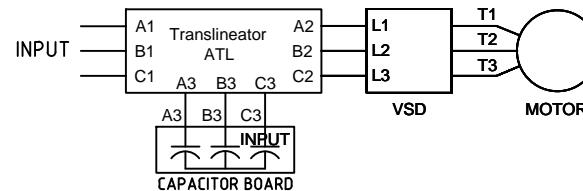
Side View



Bottom View



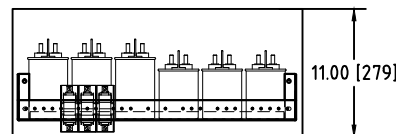
**Connection Diagram**



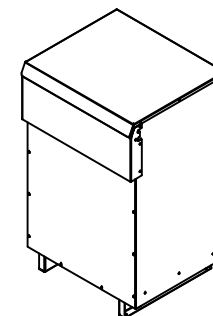
UNIT SPECIFICATIONS				INPUT	OUTPUT	APPROX. WT
HP [kW]	PHASE	VOLTS	Hz	AMPS	kW	lb [kg]
125 [90]	3	600-460	60	115	104	1050 [476]

NOTES:

- Customer is responsible for installation to meet all national and local electrical codes and other applicable electrical safety authorities.
- Type 3R Enhanced enclosure suitable for outdoor installation. Only front access is required but minimum 6" clearance should be provided at rear for proper ventilation.



Capacitor Board



Isometric View

**MIRUS International Inc.**

31 Sun Pac Boulevard, Brampton, ON, Canada L6S 5P6  
Tel: (905) 494-1120 Fax: (905) 494-1140 Toll Free: 1-888-TO MIRUS

Unless otherwise specified, dimensions are in inches and [mm].	Drawn By YM	Date Created 02-JUN-10	Checked by YM	Approved by - date YM-02-JUN-10	Scale NTS
--	----------------	---------------------------	------------------	------------------------------------	--------------

The information contained herein is the sole property of MIRUS International Inc. Any form of reproduction, distribution and/or disclosure of this information, all or in part, is strictly prohibited without the express written consent of MIRUS International Inc.

Title 125HP, 600-460V, 60Hz  
Enh. Enclosed Style Translineator ATL

Filename ATL-125-(600-460)-60-D-E1E-A0	Revision A0	Sheet 1/1
---	----------------	--------------