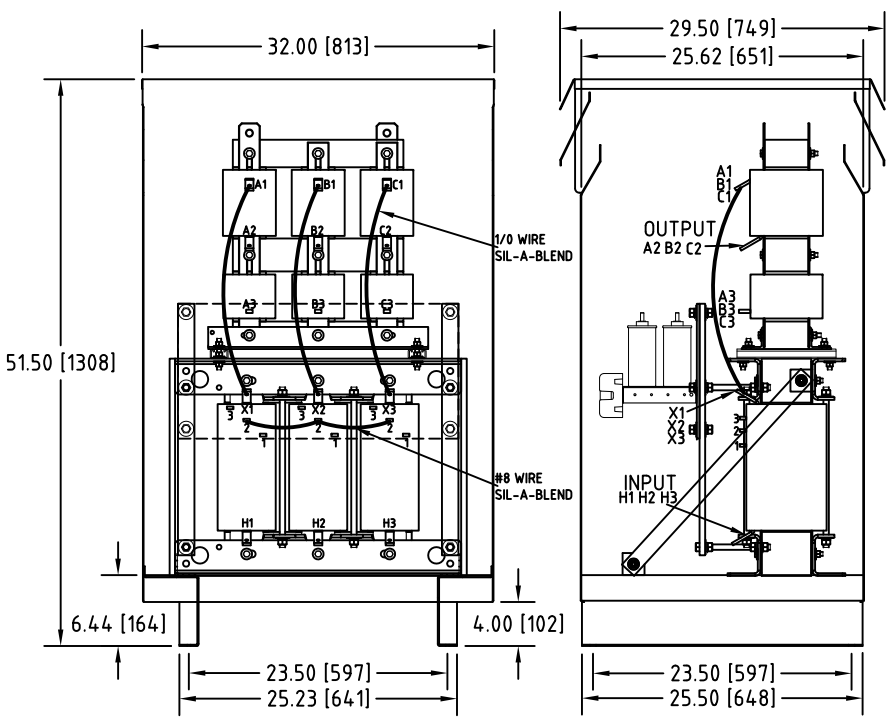
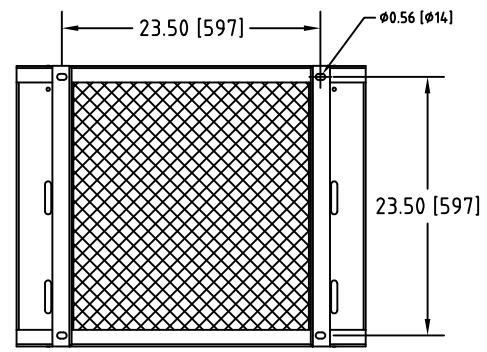


Rev. No.	Revision Note	Date	By	Checked
A2	DESIGN REVISED TO SPLIT CORE	14-JUN-2017	CG	AH
A3	REVISED TAP LABELS, UPDATED TITLE BLOCK	23-NOV-2018	CG	AL

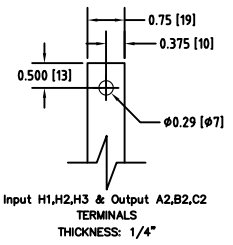


Front View

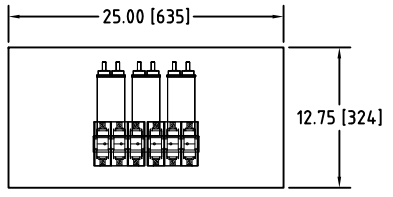
Side View



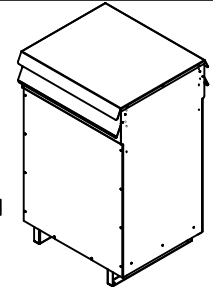
Bottom View



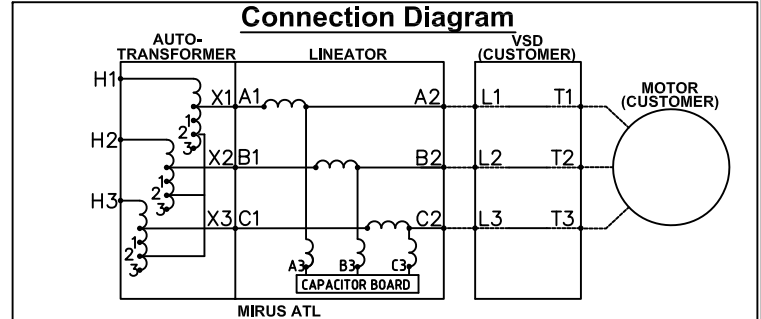
Input H1,H2,H3 & Output A2,B2,C2
TERMINALS
THICKNESS: 1/4"



Capacitor Board



Isometric View



UNIT SPECIFICATIONS				INPUT	OUTPUT	APPROX. WT
HP [kW]	PHASE	VOLTS	Hz	AMPS	kW	lb [kg]
150 [90]	3	600-460	60	135	125	550 [250]

NOTES:
 1. Customer is responsible for installation to meet all national and local electrical codes and other applicable electrical safety authorities.
 2. Type 3R Enclosure requires only front access but minimum 6" clearance should be provided at rear for proper ventilation..

MIRUS International Inc.		31 Sun Pac Boulevard, Brampton, ON, Canada L6S 5P6 Tel:(905) 494-1120 Fax: (905) 494-1140 Toll Free: 1-888-TO MIRUS			
Unless otherwise specified, dimensions are in inches and (mm).	Drawn By YM	Date Created 06-DEC-11	Checked by CG	Approved by - date CG-23-NOV-2018	Scale NTS
The information contained herein is the sole property of MIRUS International Inc. Any form of reproduction, distribution and/or disclosure of this information, all or in part, is strictly prohibited without the express written consent of MIRUS International Inc.		Title 150HP, 600-460V, 60Hz Enclosed Style Translineator ATL		Filename ATL-150-(600-460)-60-D-E1-A3	Revision A3
				Sheet 1/1	