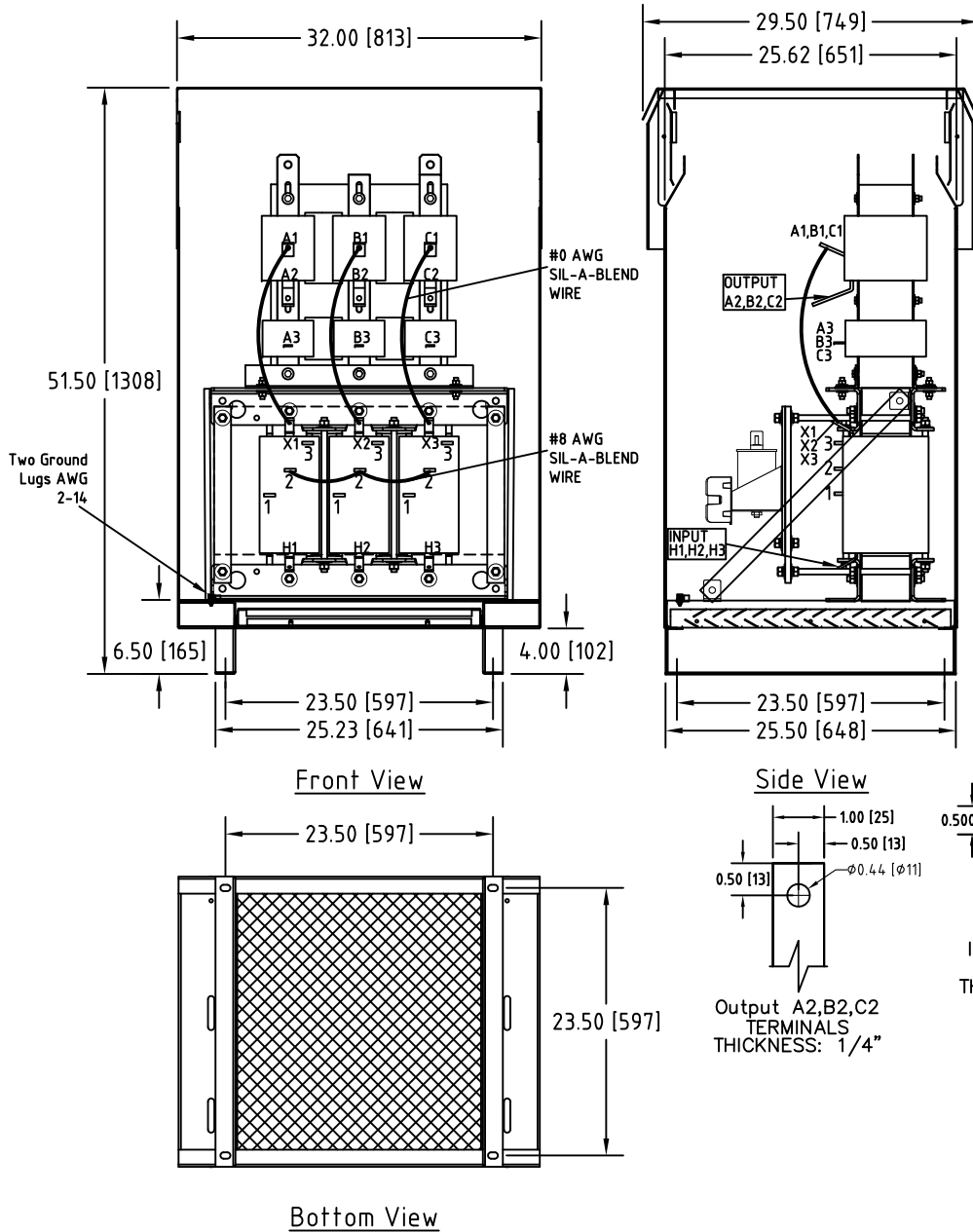
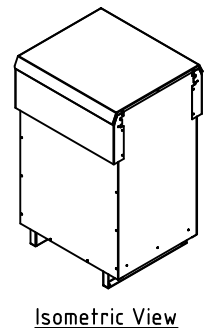
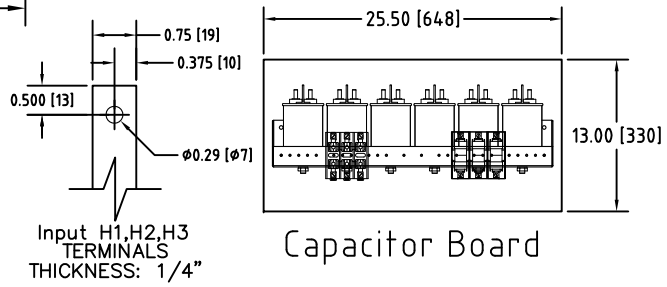
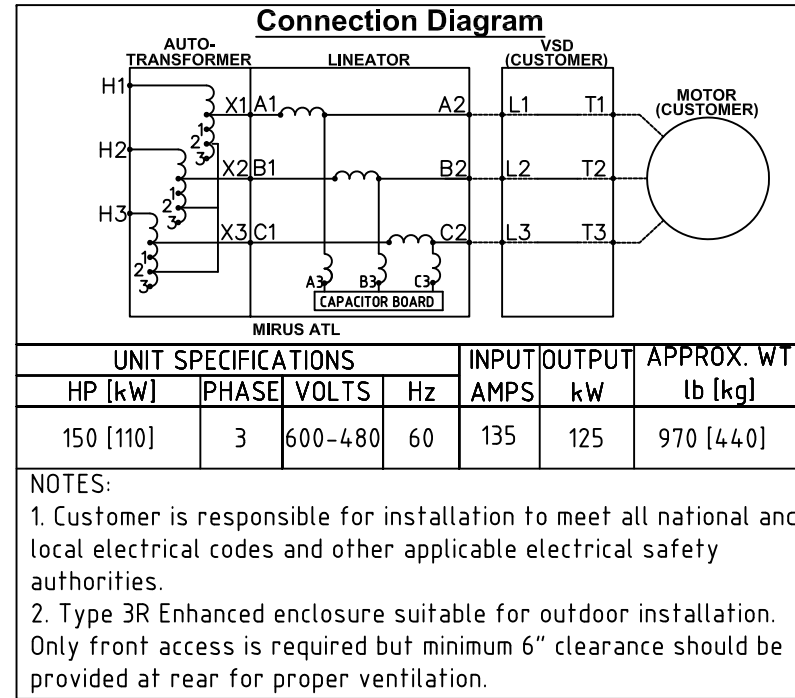


Rev. No.	Revision Note	Date	By	Checked
A4	UPDATED BUSBAR SIZE	13-DEC-2016	CG	AH
A5	REVISED TERMINAL LABELS	09-JAN-2019	CG	AH



OUTPUT TERMINALS:  
A2,B2,C2

INPUT TERMINALS:  
H1,H2,H3



**MIRUS International Inc.**  
 31 Sun Pac Boulevard, Brampton, ON, Canada L6S 5P6  
 Tel:(905) 494-1120 Fax: (905) 494-1140 Toll Free: 1-888-TO MIRUS

Unless otherwise specified, dimensions are in inches and [mm].	Drawn By YM	Date Created 08-JUN-12	Checked by CG	Approved by - date CG-09-JAN-2019	Scale NTS
--	----------------	---------------------------	------------------	--------------------------------------	--------------

The information contained herein is the sole property of MIRUS International Inc. Any form of reproduction, distribution and/or disclosure of this information, all or in part, is strictly prohibited without the express written consent of MIRUS International Inc.

Title 150HP, 600-480V, 60Hz Enh. Enclosed Style Translineator ATL	Revision A5	Sheet 1/1
---	----------------	--------------

Filename: ATL-150-(600-480)-60-D-E1E-A5