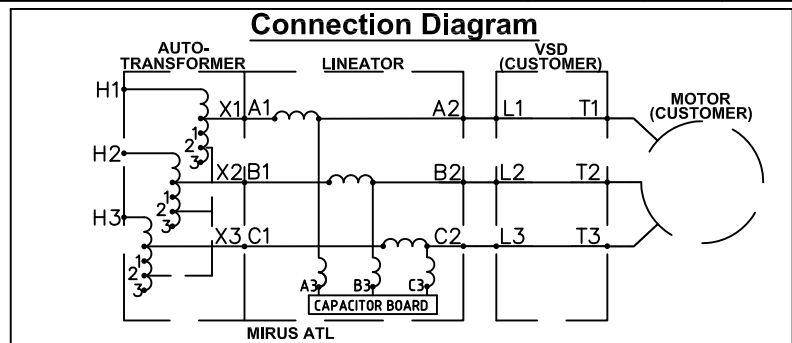


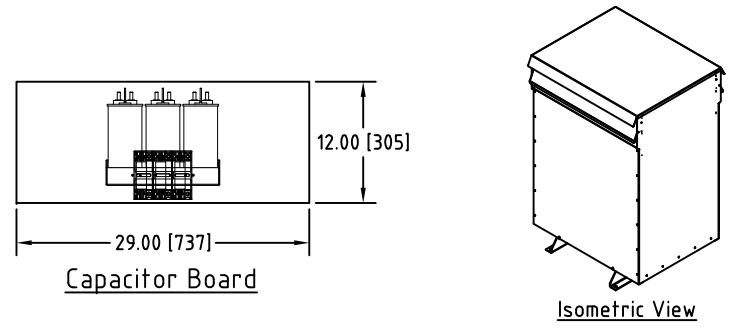
Rev. No.	Revision Note	Date	By	Checked
A3	REVISED CONNECTION DIAGRAM, NAMEPLATE DATA	21-MAY-2020	CG	AH
A4	REVISED MAGNETICS LAYOUT	27-OCT-2020	CG	AH



UNIT SPECIFICATIONS				INPUT	OUTPUT	OUTPUT	APPROX. WT
HP [kW]	PHASE	VOLTS	Hz	AMPS	AMPS	kW	lb [kg]
200 [150]	3	600-460	60	180	240	168	1300 [590]

NOTES:

- Customer is responsible for installation to meet all national and local electrical codes and other applicable electrical safety authorities.
- Type 3R Enclosure requires only front access but minimum 6" clearance should be provided at rear for proper ventilation..



MIRUS International Inc.

31 Sun Pac Boulevard, Brampton, ON, Canada L6S 5P6
Tel: (905) 494-1120 Fax: (905) 494-1140 Toll Free: 1-888-TO MIRUS

Unless otherwise specified, dimensions are in inches and [mm].	Drawn By BDK	Date Created 8-SEPT-11	Checked by YM	Approved by - date YM-8-SEPT-11	Scale NTS
--	-----------------	---------------------------	------------------	------------------------------------	--------------

The information contained herein is the sole property of MIRUS International Inc. Any form of reproduction, distribution and/or disclosure of this information, all or in part, is strictly prohibited without the express written consent of MIRUS International Inc.

Title 200 HP, 600 - 460 V, 60 Hz AutoTransLineator™ ATL (Type-3R)	Revision A4	Sheet 1/1
--	----------------	--------------

Filename: ATL-200-(600-460)-60-D-E1-A4