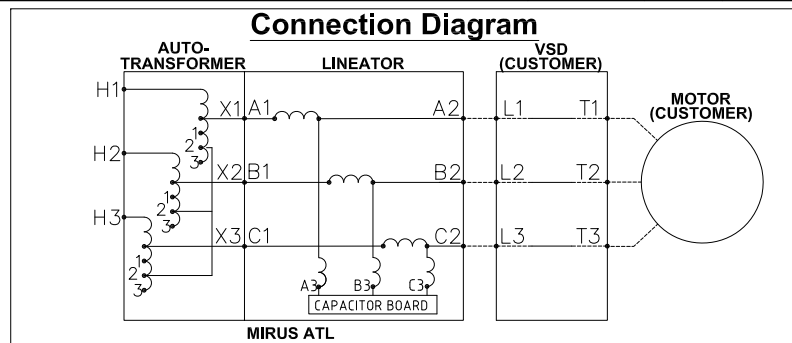
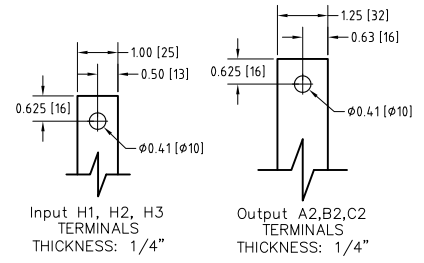
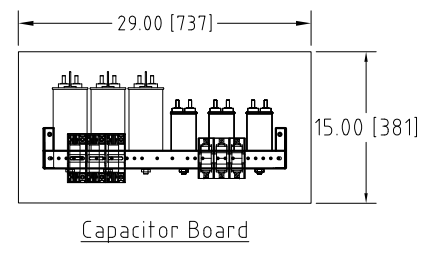


Rev. No.	Revision Note	Date	By	Checked
A3	UPDATED CAPACITOR BOARD, BUSBARS	17-AUG-2016	CG	AH
A4	REVISED DESIGN TO SPLIT CORE STYLE	17-JAN-2018	CG	BDK



UNIT SPECIFICATIONS				INPUT	OUTPUT	APPROX. WT
HP [kW]	PHASE	VOLTS	Hz	AMPS	kW	lb [kg]
250 [185]	3	600-460	60	225	209	1500 [681]

NOTES:
 1. Customer is responsible for installation to meet all national and local electrical codes and other applicable electrical safety authorities.
 2. Type 3R Enclosure requires only front access but minimum 6" clearance should be provided at rear for proper ventilation.
 3. CAUTION: Improper connection of input feeders could cause overvoltages at output of ATL.



MIRUS International Inc. #31 Sunpac Blvd., Brampton, ON, Canada L6S 5P6
 Tel: (905) 565-6900 Fax: (905) 565-6911 Toll Free: 1-888-TO MIRUS

Unless otherwise specified, dimensions are in inches and [mm].	Drawn By YM	Date Created 13-DEC-11	Checked by CG	Approved by - date CG-17-JAN-2018	Scale NTS
--	----------------	---------------------------	------------------	--------------------------------------	--------------

The information contained herein is the sole property of MIRUS International Inc. Any form of reproduction, distribution and/or disclosure of this information, all or in part, is strictly prohibited without the express written consent of MIRUS International Inc.

Title 250HP, 600-460V, 60Hz Enclosed Style Translineator ATL	Revision A4	Sheet 1/1
--	----------------	--------------