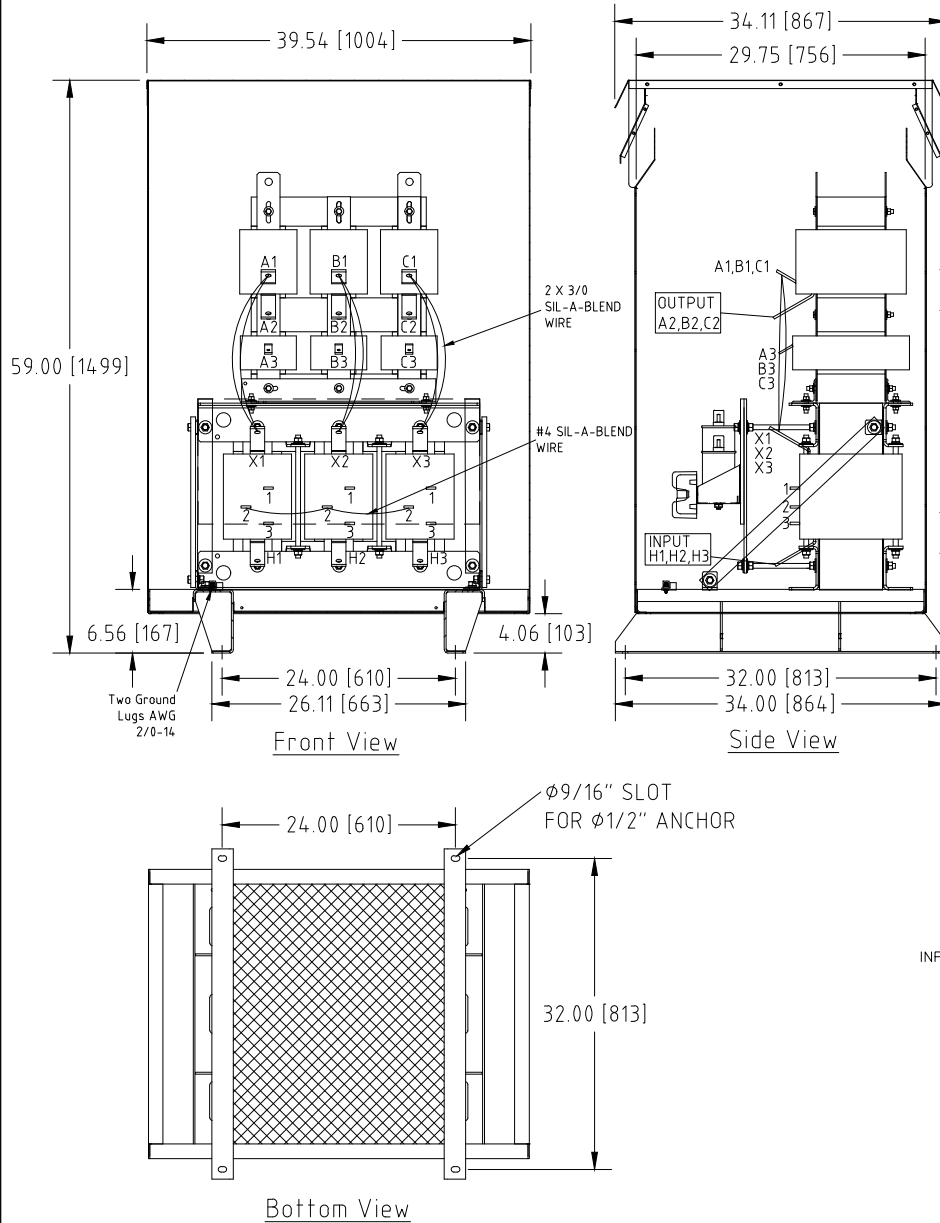
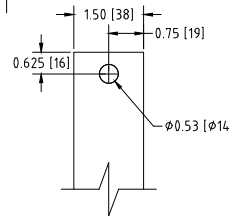


Rev. No.	Revision Note	Date	By	Checked
A7	REVISED NAMEPLATE DATA	26-OCT-2020	CG	AH
A8	REVISED NAMEPLATE DATA	13-OCT-2021	AH	CG

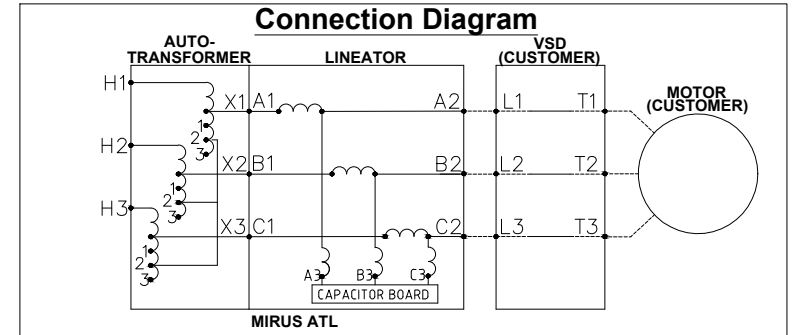


OUTPUT TERMINALS:
A2,B2,C2

INPUT TERMINALS:
H1,H2,H3

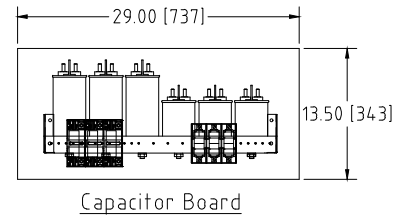


INPUT H1,H2,H3 & OUTPUT A2,B2,C2 TERMINALS THICKNESS: 1/4"

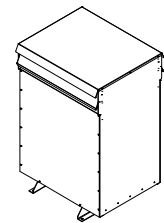


UNIT SPECIFICATIONS				INPUT AMPS (600V)	OUTPUT AMPS (460V)	OUTPUT kW	APPROX. WT lb [kg]
HP [kW]	PHASE	VOLTS	Hz	270	357	251	2000 [908]
300 [220]	3	600-460	60				

NOTES:
 1. Customer is responsible for installation to meet all national and local electrical codes and other applicable electrical safety authorities.
 2. Type 3R Enclosure requires only front access but minimum 6" clearance should be provided at rear for proper ventilation.



Capacitor Board



Isometric View

MIRUS International Inc. 31 Sun Pac Boulevard, Brampton, ON, Canada L6S 5P6
 Tel:(905) 494-1120 Fax: (905) 494-1140 Toll Free: 1-888-TO MIRUS

Unless otherwise specified, dimensions are in inches and [mm].	Drawn By YM	Date Created 16-DEC-11	Checked by CG	Approved by - date CG-12-MAY-2017	Scale NTS
----------------------------------------------------------------	----------------	---------------------------	------------------	--------------------------------------	--------------

The information contained herein is the sole property of MIRUS International Inc. Any form of reproduction, distribution and/or disclosure of this information, all or in part, is strictly prohibited without the express written consent of MIRUS International Inc.

Title 300HP, 600-460V, 60Hz Enclosed Style Translineator ATL	Revision A8	Sheet 1/1
Filename ATL-300-600-460-60-D-E1-A8		