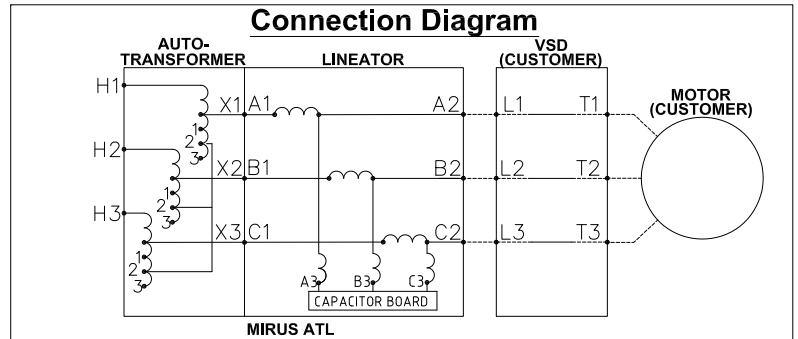


Rev. No.	Revision Note	Date	By	Checked
A6	REVISED CONNECTION DIAGRAM	07-DEC-2017	CG	AH
A7	REVISED NAMEPLATE DATA	26-OCT-2020	CG	AH

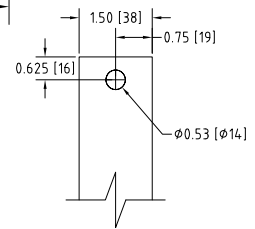


OUTPUT TERMINALS:
A2, B2, C2

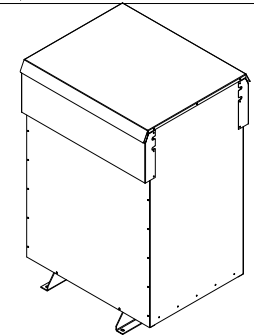
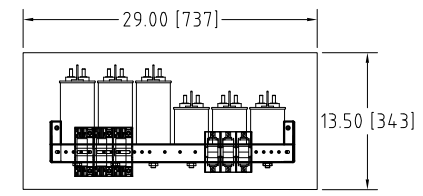
INPUT TERMINALS:
H1, H2, H3

UNIT SPECIFICATIONS				INPUT	OUTPUT	APPROX. WT
HP [kW]	PHASE	VOLTS	Hz	AMPS	kW	lb [kg]
300 [220]	3	600-460	60	270	251	2200 [999]

NOTES:
 1. Customer is responsible for installation to meet all national and local electrical codes and other applicable electrical safety authorities.
 2. Type 3R Enclosure requires only front access but minimum 6" clearance should be provided at rear for proper ventilation.



INPUT H1, H2, H3 & OUTPUT A2, B2, C2 TERMINALS THICKNESS: 1/4"



MIRUS International Inc.
 31 Sun Pac Boulevard, Brampton, ON, Canada L6S 5P6
 Tel: (905) 494-1120 Fax: (905) 494-1140 Toll Free: 1-888-TO MIRUS

Unless otherwise specified, dimensions are in inches and [mm].	Drawn By YM	Date Created 16-DEC-11	Checked by CG	Approved by - date CG-12-MAY-2017	Scale NTS
--	----------------	---------------------------	------------------	--------------------------------------	--------------

The information contained herein is the sole property of MIRUS International Inc. Any form of reproduction, distribution and/or disclosure of this information, all or in part, is strictly prohibited without the express written consent of MIRUS International Inc.

Title 300HP, 600-460V, 60Hz Enh. Enclosed Style Translineator ATL	Revision A7	Sheet 1/1
---	----------------	--------------

Filename: ATL-300-600-460-60-D-E1E-A7