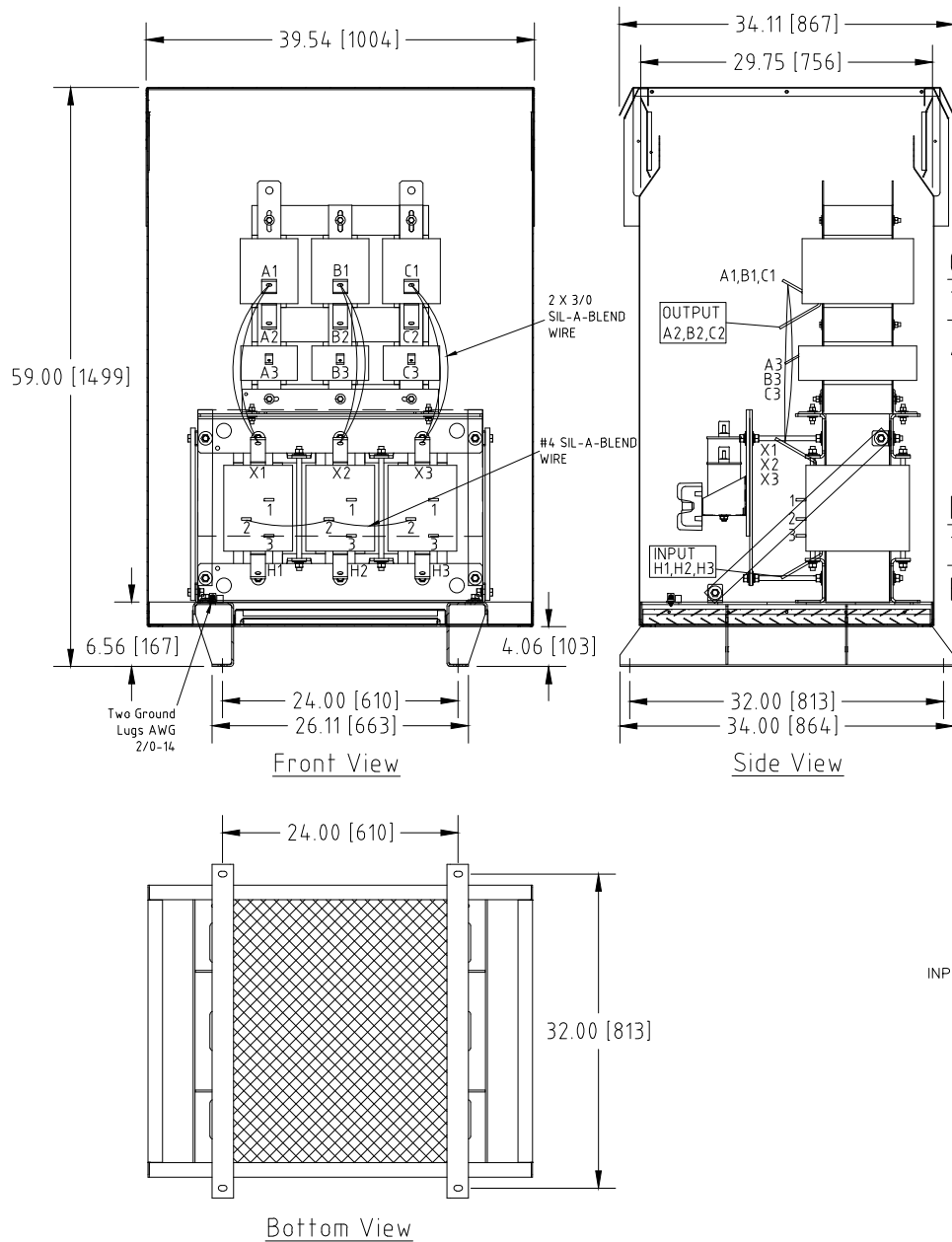
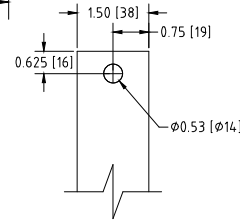


Rev. No.	Revision Note	Date	By	Checked
A7	REVISED NAMEPLATE DATA	26-OCT-2020	CG	AH
A8	REVISED NAMEPLATE DATA	13-OCT-2021	AH	CG

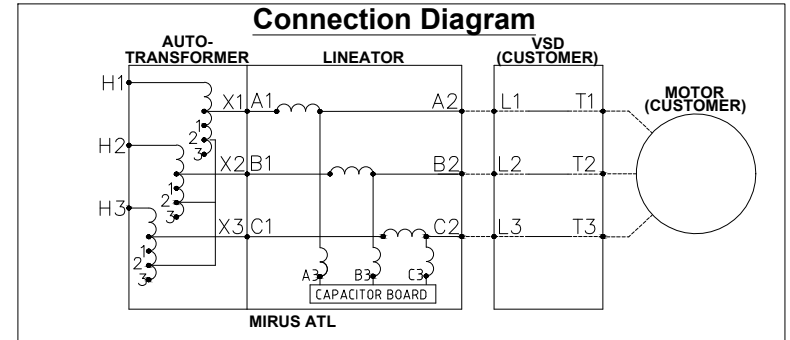


**OUTPUT TERMINALS:**  
A2, B2, C2

**INPUT TERMINALS:**  
H1, H2, H3

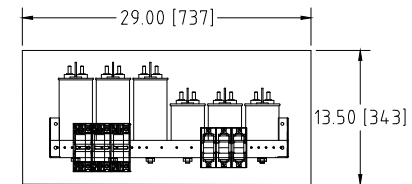


INPUT H1, H2, H3 & OUTPUT A2, B2, C2 TERMINALS THICKNESS: 1/4"

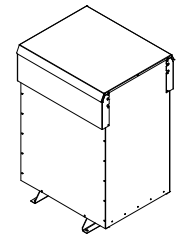


UNIT SPECIFICATIONS				INPUT AMPS (600V)	OUTPUT AMPS (460V)	OUTPUT kW	APPROX. WT lb [kg]
HP [kW]	PHASE	VOLTS	Hz				
300 [220]	3	600-460	60	270	357	251	2200 [999]

**NOTES:**  
 1. Customer is responsible for installation to meet all national and local electrical codes and other applicable electrical safety authorities.  
 2. Type 3R Enclosure requires only front access but minimum 6" clearance should be provided at rear for proper ventilation.



Capacitor Board



Isometric View

<b>MIRUS International Inc.</b>		31 Sun Pac Boulevard, Brampton, ON, Canada L6S 5P6 Tel: (905) 494-1120 Fax: (905) 494-1140 Toll Free: 1-888-TO MIRUS			
Unless otherwise specified, dimensions are in inches and [mm].	Drawn By YM	Date Created 16-DEC-11	Checked by CG	Approved by - date CG-12-MAY-2017	Scale NTS
The information contained herein is the sole property of MIRUS International Inc. Any form of reproduction, distribution and/or disclosure of this information, all or in part, is strictly prohibited without the express written consent of MIRUS International Inc.		Title 300HP, 600-460V, 60Hz Enh. Enclosed Style Translineator ATL			Sheet 1/1
		Filename ATL-300-600-460-60-D-E1E-A8	Revision A8		