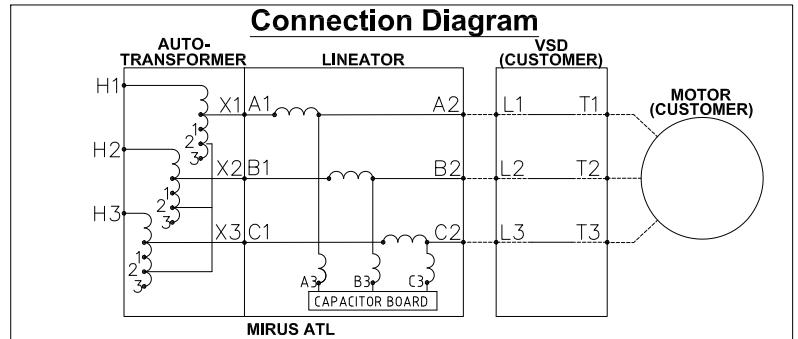


Rev. No.	Revision Note	Date	By	Checked
A4	REVISED TO SPLIT CORE	06-NOV-2018	CG	BDK
A5	REVISED INTERCONNECTION WIRE SPECIFICATION	26-MAR-2021	CG	BDK

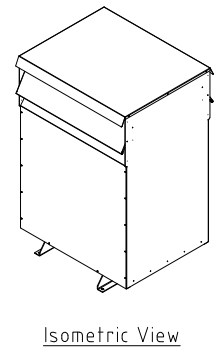
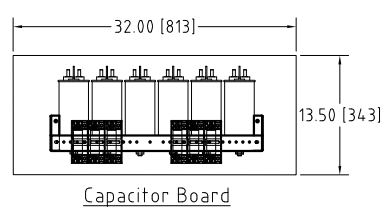
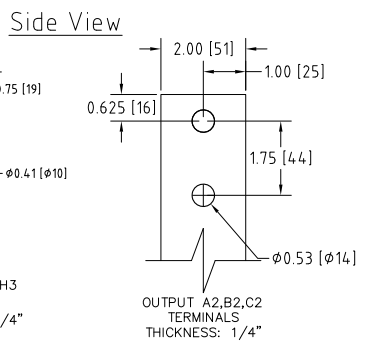
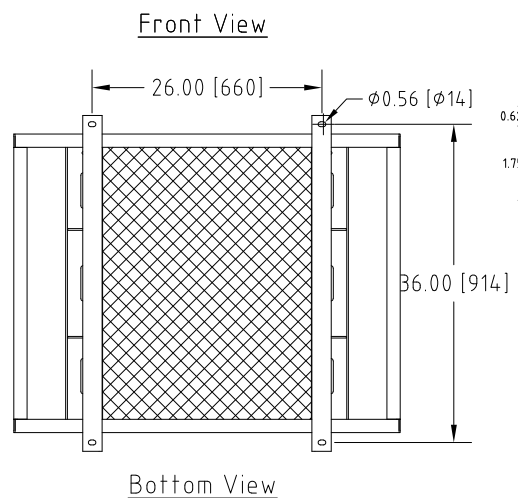


OUTPUT  
TERMINALS:  
A2, B2, C2

INPUT  
TERMINALS:  
H1, H2, H3

UNIT SPECIFICATIONS				INPUT	OUTPUT	APPROX. WT
HP [kW]	PHASE	VOLTS	Hz	AMPS	kW	lb [kg]
350 [250]	3	600-460	60	320	292	1900 [861]

NOTES:  
 1. Customer is responsible for installation to meet all national and local electrical codes and other applicable electrical safety authorities.  
 2. Type 3R Enclosure requires only front access but minimum 6" clearance should be provided at rear for proper ventilation.



**MIRUS International Inc.**  
 31 Sun Pac Boulevard, Brampton, ON, Canada L6S 5P6  
 Tel: (905) 494-1120 Fax: (905) 494-1140 Toll Free: 1-888-TO MIRUS

Unless otherwise specified, dimensions are in inches and [mm].	Drawn By YM	Date Created 24-OCT-11	Checked by CG	Approved by - date CG-06-NOV-2018	Scale NTS
--	----------------	---------------------------	------------------	--------------------------------------	--------------

The information contained herein is the sole property of MIRUS International Inc. Any form of reproduction, distribution and/or disclosure of this information, all or in part, is strictly prohibited without the express written consent of MIRUS International Inc.

Title 350HP, 600-460V, 60Hz Enclosed Style Translinearator ATL	Revision A5	Sheet 1/1
--	----------------	--------------