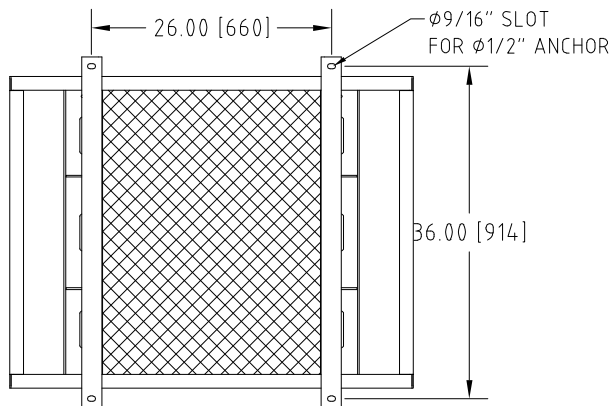


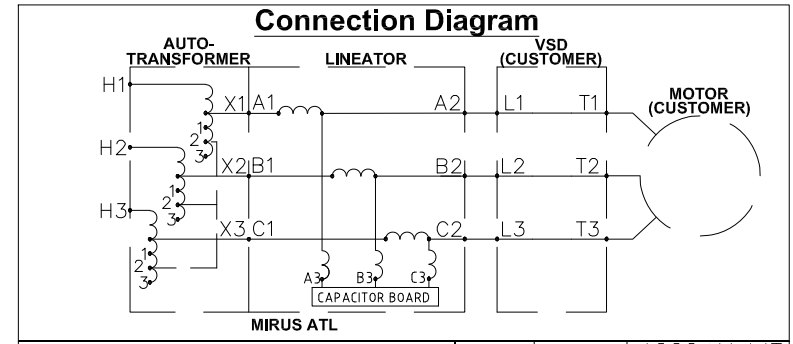
Front View

Side View



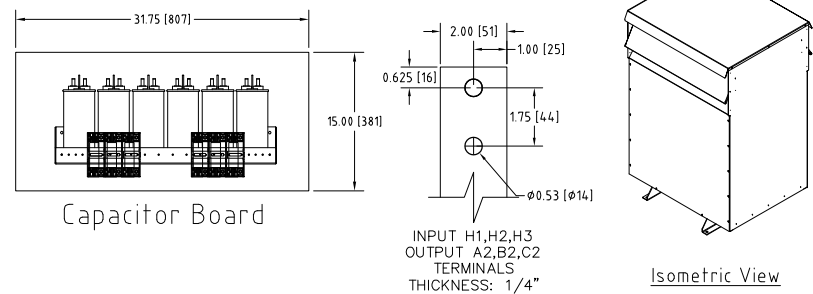
Bottom View

Rev. No.	Revision Note	Date	By	Checked
A3	REVISED MAGNETICS DESIGN	21-OCT-2019	CG	BDK
A4	MOVED BRACING FROM AT TO AUHF (TOP YOKE)	MAY 13, 2024	AD	BDK



UNIT SPECIFICATIONS				INPUT	OUTPUT	APPROX. WT
HP [kW]	PHASE	VOLTS	Hz	AMPS	kW	lb [kg]
400 [315]	3	600-460	60	365	349	2500 [1135]

NOTES:
 1. Customer is responsible for installation to meet all national and local electrical codes and other applicable electrical safety authorities.
 2. Type 3R Enclosure requires only front access but minimum 6" clearance should be provided at rear for proper ventilation.



MIRUS International Inc. 31 Sun Pac Boulevard, Brampton, ON, Canada L6S 5P6
 Tel: (905) 494-1120 Fax: (905) 494-1140 Toll Free: 1-888-TO MIRUS

Unless otherwise specified, dimensions are in inches and [mm].	Drawn By AH	Date Created 11-MAR-13	Checked by YM	Approved by - date YM-11-MAR-13	Scale NTS
--	----------------	---------------------------	------------------	------------------------------------	--------------

The information contained herein is the sole property of MIRUS International Inc. Any form of reproduction, distribution and/or disclosure of this information, all or in part, is strictly prohibited without the express written consent of MIRUS International Inc.

Title 400HP, 600-460V, 60Hz Translineator ATL (Type-3R)	Revision A4	Sheet 1/1
---	----------------	--------------

Filename: ATL-400-600-460-60-D-E1-A4