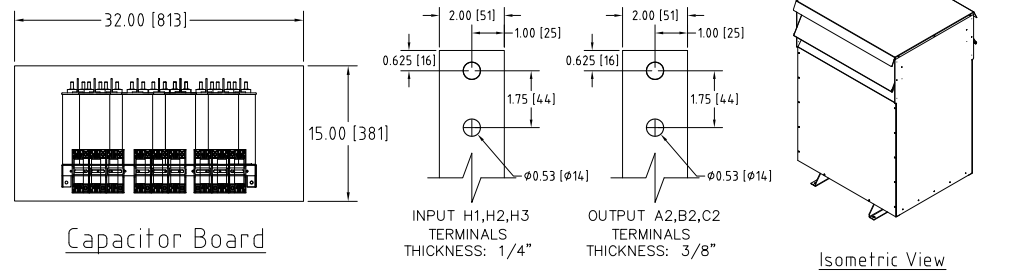
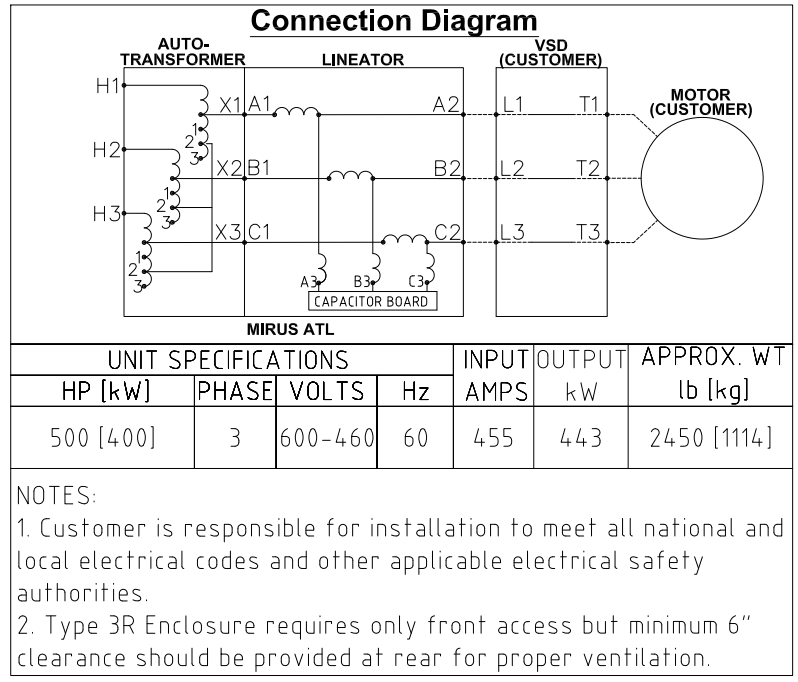


Rev. No.	Revision Note	Date	By	Checked
A5	MODIFIED BRACING	2-OCT-2019	BDK	YD
A6	REVISED DRAWING LAYOUT DETAILS	29-APR-2020	CG	AH



**MIRUS International Inc.** 31 Sun Pac Boulevard, Brampton, ON, Canada L6S 5P6  
Tel: (905) 494-1120 Fax: (905) 494-1140 Toll Free: 1-888-TO MIRUS

Unless otherwise specified, dimensions are in inches and [mm].	Drawn By AH	Date Created 22-OCT-14	Checked by YM	Approved by - date 22-OCT-14	Scale NTS
--	----------------	---------------------------	------------------	---------------------------------	--------------

The information contained herein is the sole property of MIRUS International Inc. Any form of reproduction, distribution and/or disclosure of this information, all or in part, is strictly prohibited without the express written consent of MIRUS International Inc.

Title 500HP, 600-460V, 60Hz Enclosed Style Translinearator ATL	Revision A6	Sheet 1/1
--	----------------	--------------

Filename: ATL-500-600-460-60-D-E1-A6