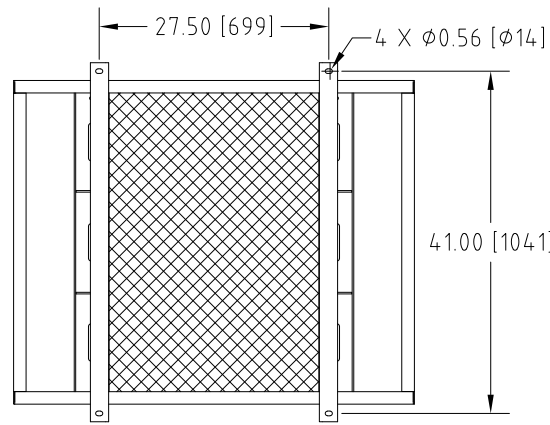
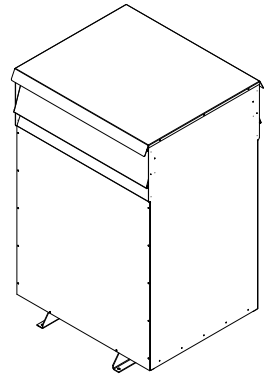


Front View

Side View

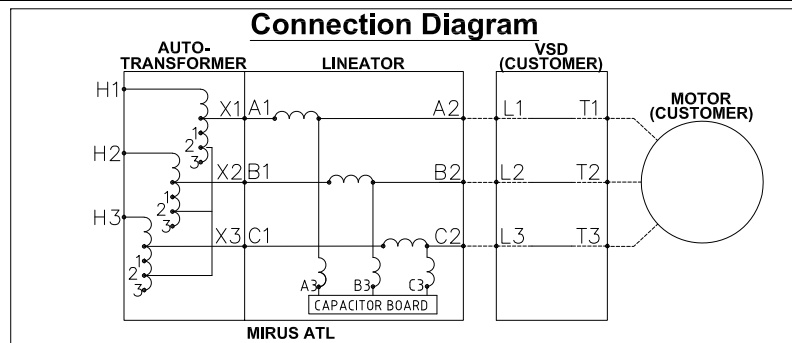


Bottom View



Isometric View

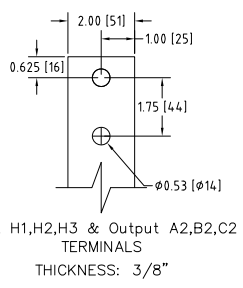
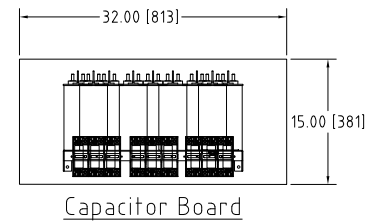
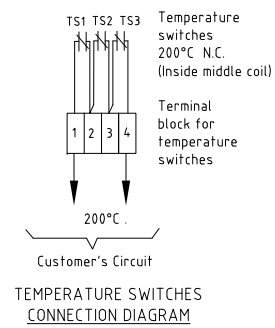
Rev. No.	Revision Note	Date	By	Checked
A1	REVISED TERMINAL LABELS, CONNECTION DIAGRAM	09-DEC-2019	CG	BDK



UNIT SPECIFICATIONS				INPUT	OUTPUT	APPROX. WT
HP [kW]	PHASE	VOLTS	Hz	AMPS	kW	lb [kg]
600 [450]	3	600/460	60	560	4.99	2900 [1318]

NOTES:

- Customer is responsible for installation to meet all national and local electrical codes and other applicable electrical safety authorities.
- Type 3R Enclosure requires only front access but minimum 6" clearance should be provided at rear for proper ventilation.



**MIRUS International Inc.** 31 Sun Pac Boulevard, Brampton, ON, Canada L6S 5P6  
Tel: (905) 494-1120 Fax: (905) 494-1140 Toll Free: 1-888-TO MIRUS

Unless otherwise specified, dimensions are in inches and [mm].	Drawn By CG	Date Created 18-SEP-2017	Checked by AH	Approved by - date AH-27-SEP-2017	Scale NTS
--	----------------	-----------------------------	------------------	--------------------------------------	--------------

The information contained herein is the sole property of MIRUS International Inc. Any form of reproduction, distribution and/or disclosure of this information, all or in part, is strictly prohibited without the express written consent of MIRUS International Inc.

Title 600 HP, 600-460 V, 60HZ AUTOTRANS LINEATOR™ AUHF (Type-3R)	Revision A1	Sheet 1/1
Filename ATL-600-(600-460)-60-D-E1-A1		