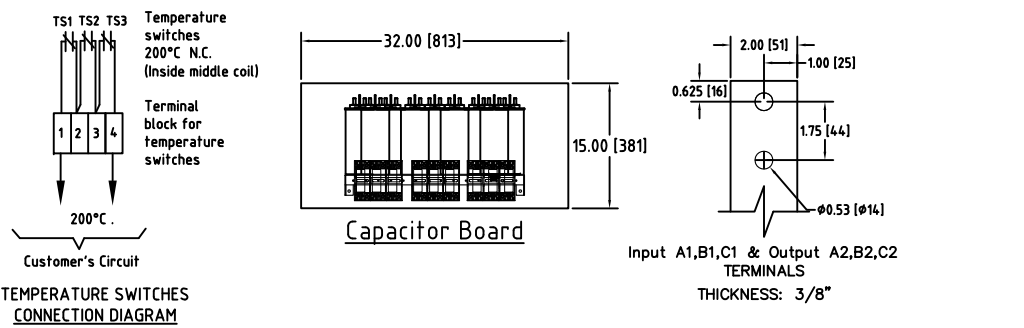


Rev. No.	Revision Note	Date	By	Checked

Connection Diagram

UNIT SPECIFICATIONS				INPUT	OUTPUT	APPROX. WT
HP [kW]	PHASE	VOLTS	Hz	AMPS	kW	lb [kg]
700 [500]	3	600/460	60	640	579	4000 [1816]

NOTES:
 1. Customer is responsible for installation to meet all national and local electrical codes and other applicable electrical safety authorities.
 2. Type 3R Enclosure requires only front access but minimum 6" clearance should be provided at rear for proper ventilation..



PRELIMINARY DRAWING - SUBJECT TO CHANGE

31 Sun Pac Boulevard, Brampton, ON, Canada L6S 5P6
 Tel: (905) 494-1120 Fax: (905) 494-1140 Toll Free: 1-888-TO MIRUS

Unless otherwise specified, dimensions are in inches and [mm].	Drawn By CG	Date Created 12-FEB-2018	Checked by AH	Approved by - date AH-12-FEB-2018	Scale NTS
The information contained herein is the sole property of MIRUS International Inc. Any form of reproduction, distribution and/or disclosure of this information, all or in part, is strictly prohibited without the express written consent of MIRUS International Inc.			Title 700 HP, 600-460 V, 60HZ AUTOTRANS LINEATOR™ AUHF (Type-3R)		
			Filename ATL-700-(600-460)-60-D-E1-P0	Revision P0	Sheet 1/1