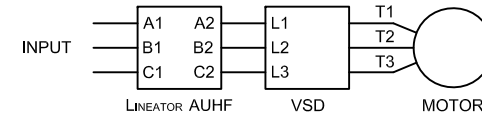


Rev. No.	Revision Note	Date	By	Checked
A13	Capacitors Revised	21-MAY-14	AH	YM
A14	REVISED TO PRESSURE PLATE STYLE	29-MAR-2018	CG	BDK

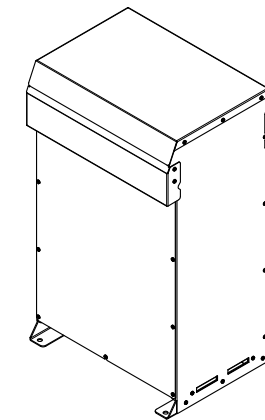
### Connection Diagram



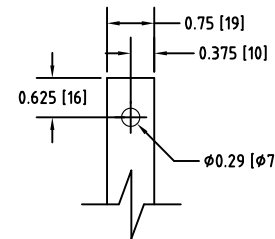
UNIT SPECIFICATIONS			INPUT	OUTPUT	APPROX. WT,
HP (kW)	PHASE	VOLTS	AMPS	kW	lb (kg)
100 (75)	3	600	90	84	350 (159)

#### NOTES:

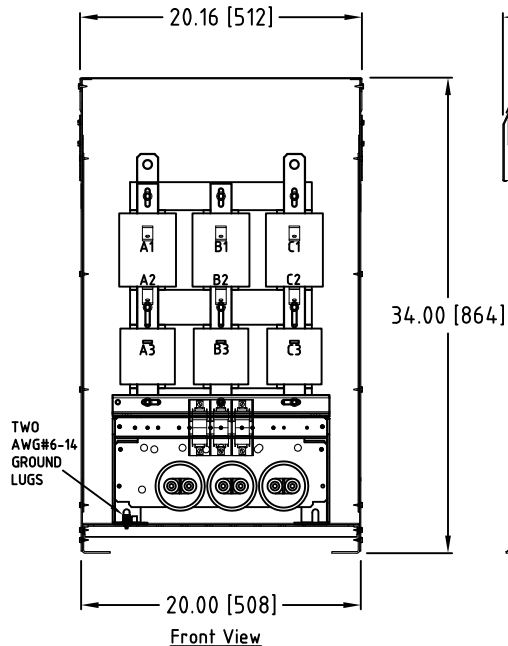
- Customer is responsible for installation to meet all national and local electrical codes and other applicable electrical safety authorities.
- Type 3R Enhanced enclosure suitable for outdoor installation. Only front access is required but minimum 6" clearance should be provided at rear for proper ventilation.



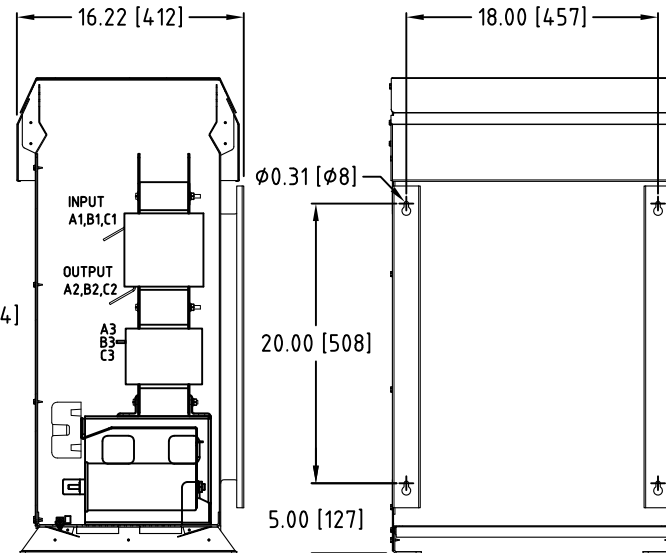
Isometric View



Input A1,B1,C1 & Output A2,B2,C2  
TERMINALS  
THICKNESS 1/8"

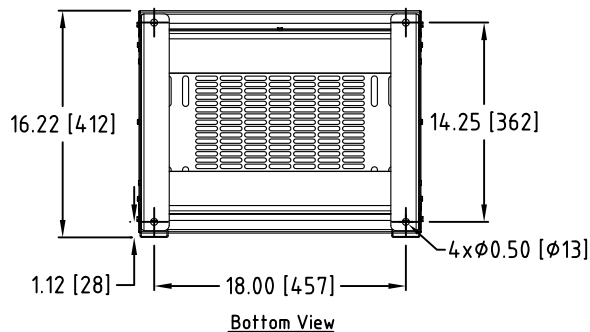


Front View



Side View

Back View



Bottom View

<b>MIRUS International Inc.</b>		31 Sun Pac Boulevard, Brampton, ON, Canada L6S 5P6 Tel: (905) 494-1120 Fax: (905) 494-1140 Toll Free: 1-888-TO MIRUS			
Unless otherwise specified, dimensions are in inches and [mm].	Drawn by EH	Date 04-JUN-06	Checked by YM	Approved by - date YM - 04-JUN-06	Scale NTS
The information contained herein is the sole property of MIRUS International Inc. Any form of reproduction, distribution and/or disclosure of this information, all or in part, is strictly prohibited without the express written consent of MIRUS International Inc.		Title 100 HP, 600V, 60Hz LINEATOR AUHF (NEMA-3R Enh.)			
		Filename AUHF-100-600-60-D-E1E-A14	Revision A14	Sheet 1/1	