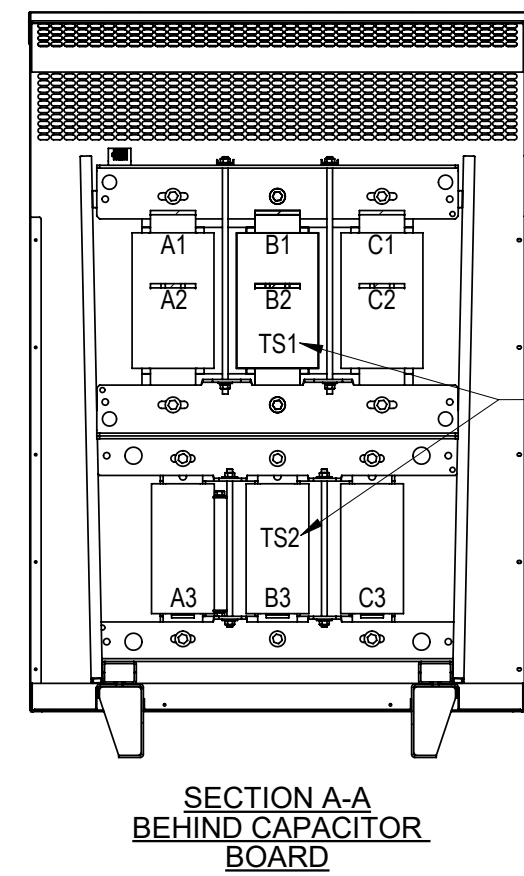
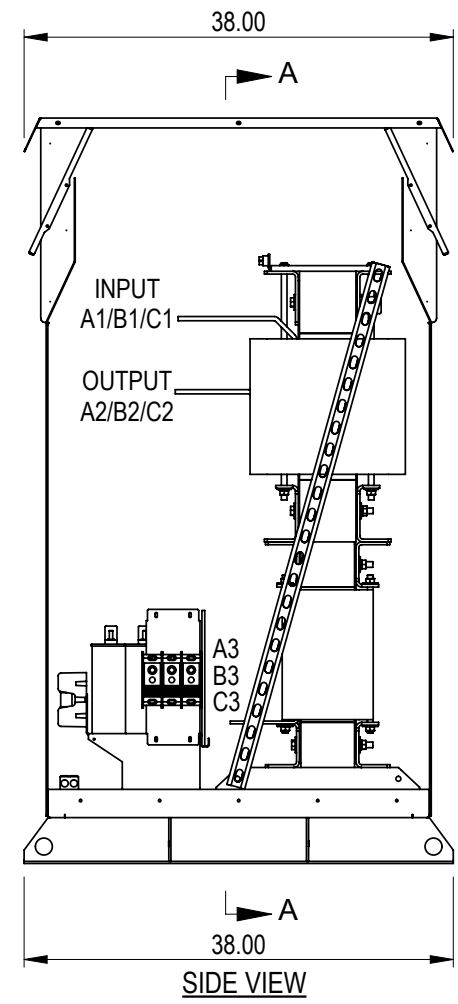
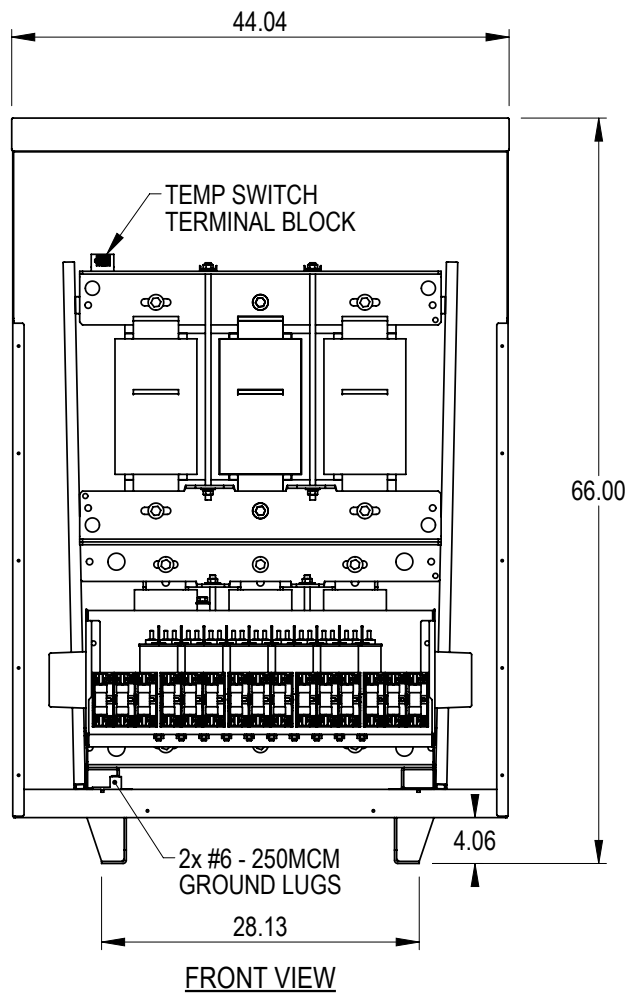
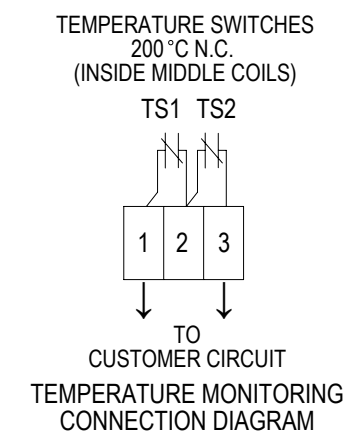


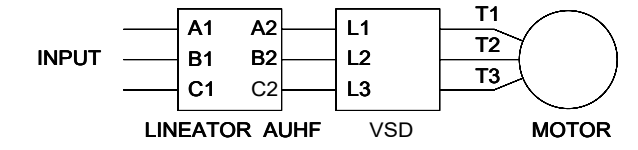
REV	DESCRIPTION	DATE	BY	APP



(2) TEMP SWITCHES SEE CONN DIAG

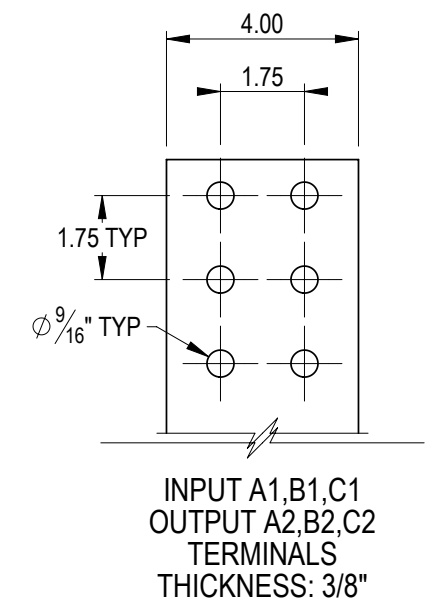
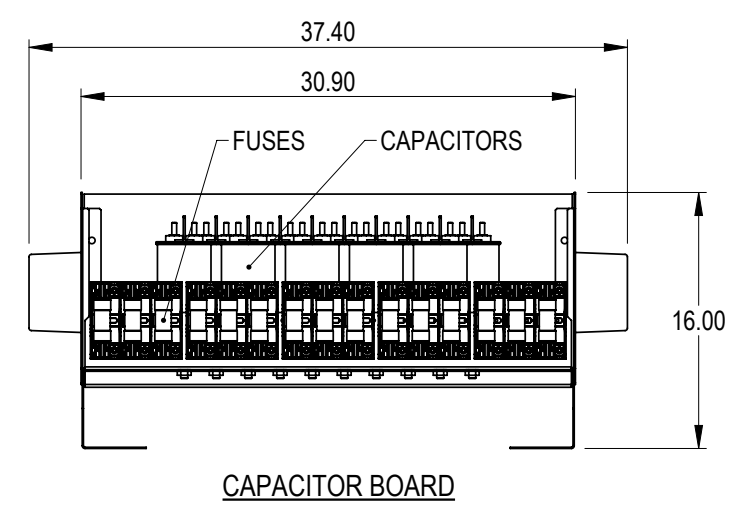
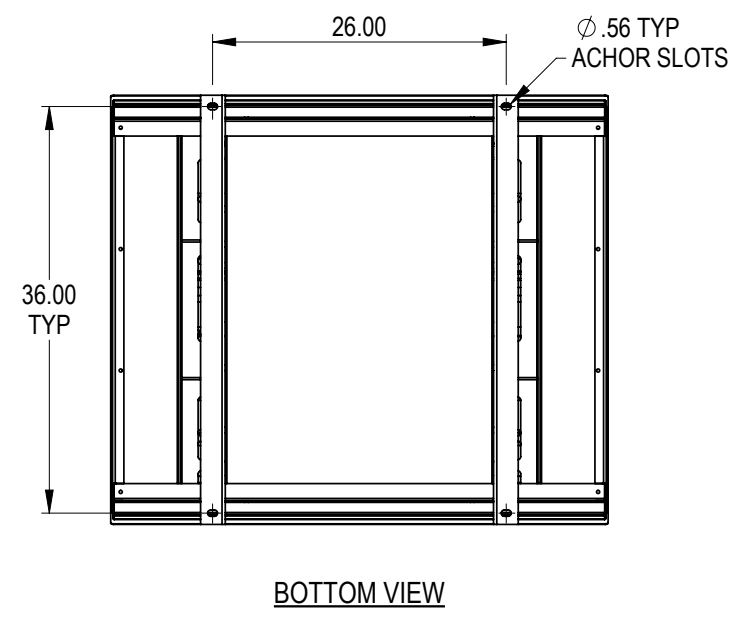
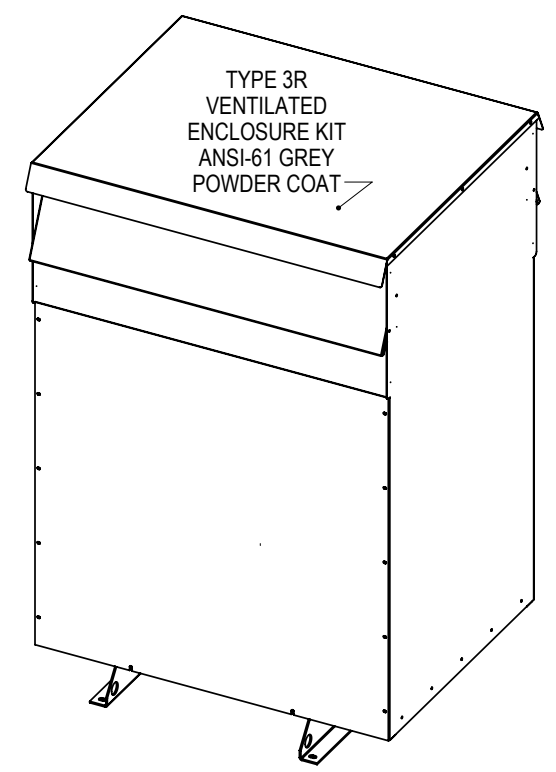


**Connection Diagram**



UNIT SPECIFICATIONS				INPUT	OUTPUT	APPROX. WT
HP [kW]	PHASE	VOLTS	Hz	AMPS	kW	lb [kg]
1000 [710]	3	480	60	1100	818	1900 [862]

NOTES:  
 1. CUSTOMER IS RESPONSIBLE FOR INSTALLATION TO MEET ALL NATIONAL AND LOCAL ELECTRICAL CODES AND OTHER APPLICABLE ELECTRICAL SAFETY AUTHORITIES.  
 2. TYPE 3R REQUIRES ONLY FRONT ACCESS BUT MINIMUM 6" CLEARANCE SHOULD BE PROVIDED AT REAR FOR PROPER VENTILATION.



		THE INFORMATION CONTAINED HEREIN IS THE SOLE PROPERTY OF MIRUS INTERNATIONAL INC. ANY FORM OF REPRODUCTION, DISTRIBUTION AND/OR DISCLOSURE OF THIS INFORMATION, ALL OR IN PART, IS STRICTLY PROHIBITED WITHOUT THE EXPRESS WRITTEN CONSENT OF MIRUS INTERNATIONAL INC.	
DRAWN AD	APPROVED BDK	<h1>MIRUS International Inc.</h1>	
SCALE NTS	DATE JULY 25, 2023		
JOB FILE NO. N/A		TITLE <b>AUHF-1000-480-60-D-E1          LINEATOR, AUHF</b>	
PART NO. AUHF-1000-480-60-D-E1		DRAWING NO. <b>AUHF-1000-480-60-D-E1</b>	
ELEC FILE NO. AUHF-1000-480-60-D-E1-R0		SHT 1 OF 1	REV 0