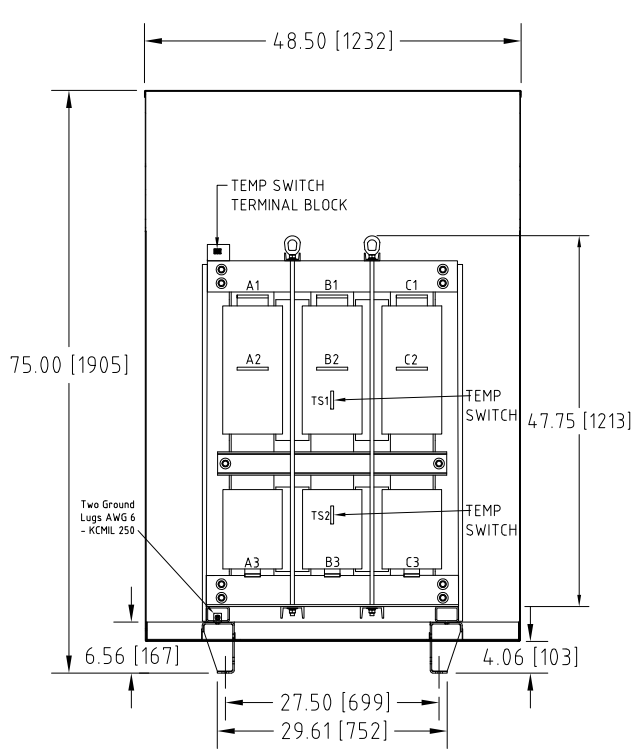
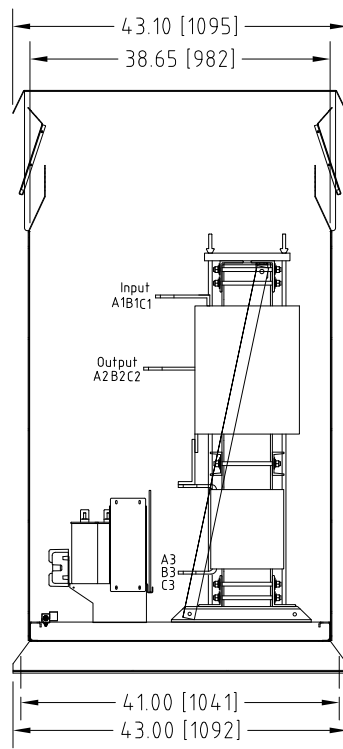


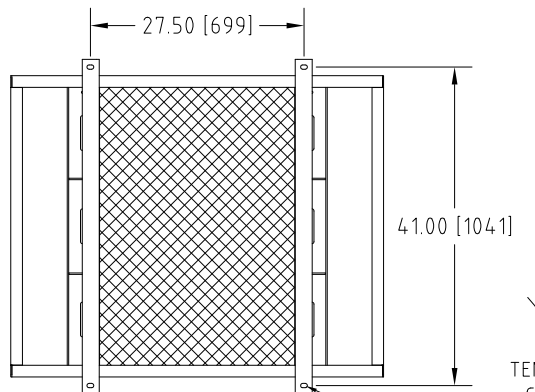
Rev. No.	Revision Note	Date	By	Checked
A7	Revised Capacitor Board	20-JAN-13	AH	YM
A8	UPDATED REACTOR BRACKETS	07-OCT-15	CG	AH



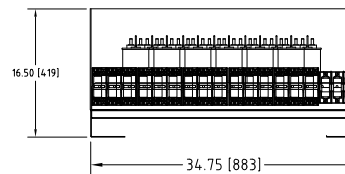
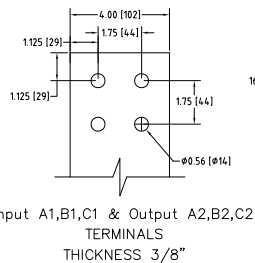
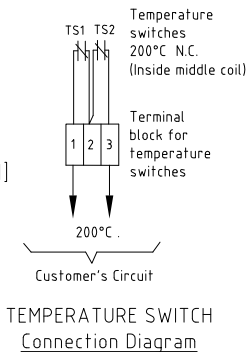
Front View



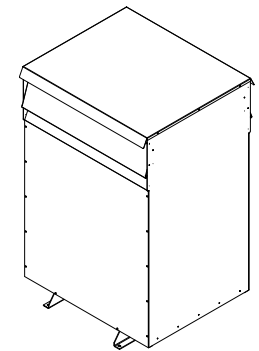
Side View



Bottom View

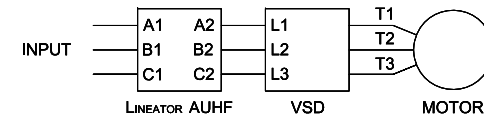


Capacitor Board



Isometric View

Connection Diagram



UNIT SPECIFICATIONS				INPUT	OUTPUT	APPROX. WT
HP [kW]	PHASE	VOLTS	Hz	AMPS	kW	lb [kg]
1200 [900]	3	480	60	1330	987	2568 [1167]

NOTES:

- Customer is responsible for installation to meet all national and local electrical codes and other applicable electrical safety authorities.
- Type 3R Enclosure requires only front access but minimum 6" clearance should be provided at rear for proper ventilation..

MIRUS International Inc.

31 Sun Pac Boulevard, Brampton, ON, Canada L6S 5P6
Tel:(905) 494-1120 Fax: (905) 494-1140 Toll Free: 1-888-TO MIRUS

Unless otherwise specified, dimensions are in inches and [mm].	Drawn By CG	Date Created 31-JUL-08	Checked by YM	Approved by - date YM-31-JUL-08	Scale NTS
--	----------------	---------------------------	------------------	------------------------------------	--------------

The information contained herein is the sole property of MIRUS International Inc. Any form of reproduction, distribution and/or disclosure of this information, all or in part, is strictly prohibited without the express written consent of MIRUS International Inc.

Title 1200 HP, 480 V, 60 Hz LINEATOR™ AUHF (Type-3R)	Revision A8	Sheet 1/1
Filename AUHF-1200-480-60-D-E1-A8		