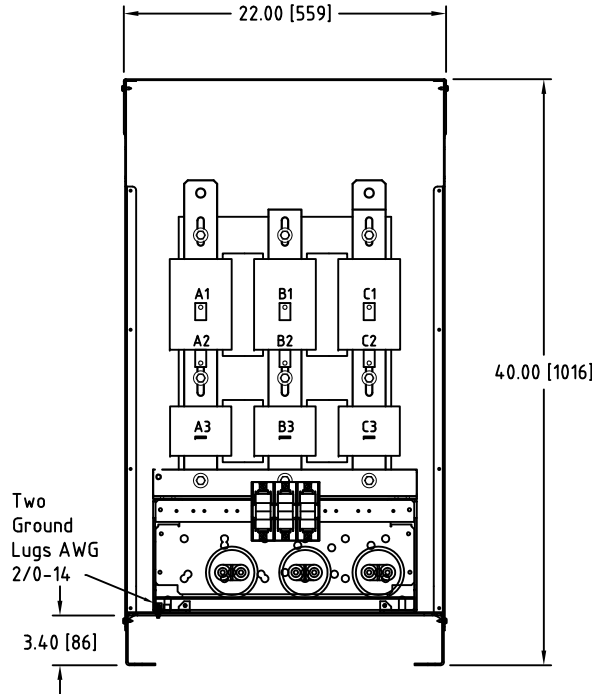
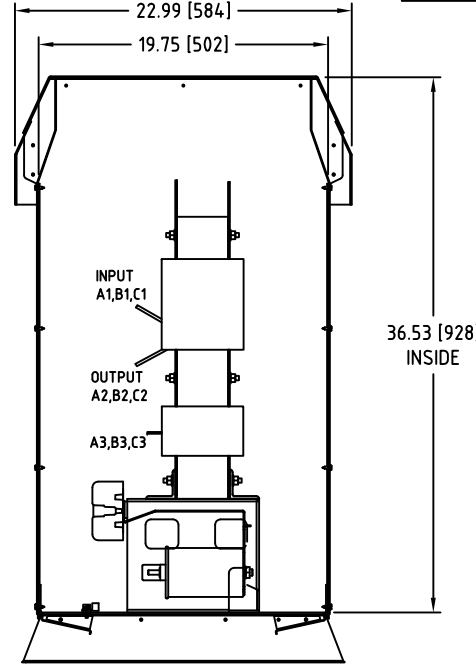


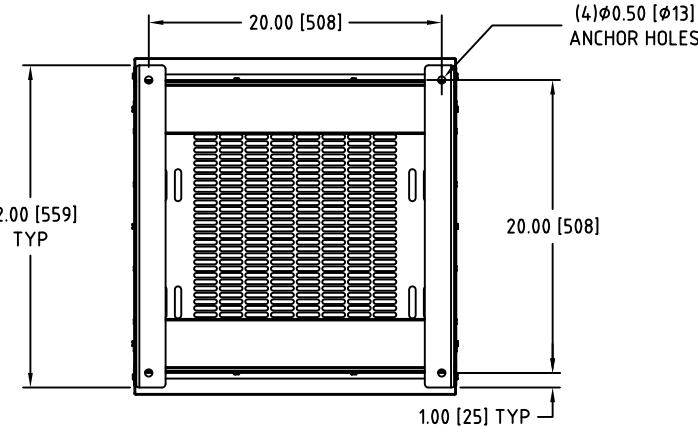
Rev. No.	Revision Note	Date	By	Checked
A20	Revised Brackets	22-AUG-2018	CG	AH
A21	Revised busbar size	08-MAY-2019	CG	AH



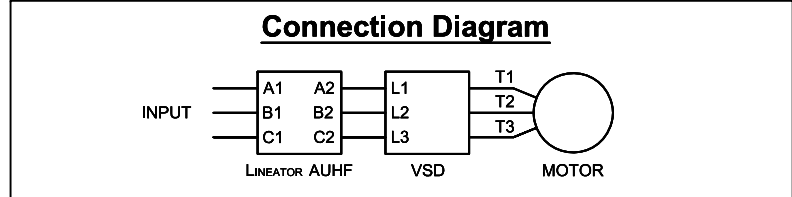
Front View



Side View

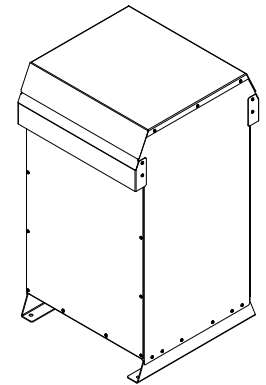
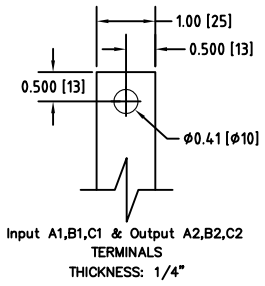


Bottom View



UNIT SPECIFICATIONS				INPUT	OUTPUT	APPROX. WT
HP [kW]	PHASE	VOLTS	Hz	AMPS	kW	lb [kg]
125 [90]	3	480	60	141	104	410 [186]

NOTES:  
 1. Customer is responsible for installation to meet all national and local electrical codes and other applicable electrical safety authorities.  
 2. Type 3R Enhanced enclosure suitable for outdoor installation. Only front access is required but minimum 6" clearance should be provided at rear for proper ventilation.



Isometric View

**MIRUS International Inc.** 31 Sun Pac Boulevard, Brampton, ON, Canada L6S 5P6  
 Tel: (905) 494-1120 Fax: (905) 494-1140 Toll Free: 1-888-T0 MIRUS

Unless otherwise specified, dimensions are in inches and [mm].	Drawn By EH	Date Created 02-Jun-06	Checked by YM	Approved by - date YM-02-Jun-06	Scale NTS
The information contained herein is the sole property of MIRUS International Inc. Any form of reproduction, distribution and/or disclosure of this information, all or in part, is strictly prohibited without the express written consent of MIRUS International Inc.			Title 125 HP, 480 V, 60 Hz LINEATOR™ AUHF (Type-3R Enh.)		
Filename AUHF-125-480-60-D-E1E-A21			Revision A21	Sheet 1/1	