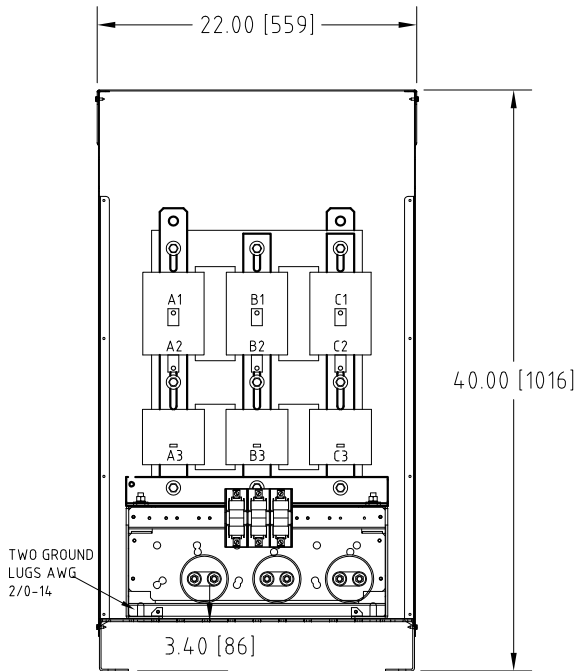
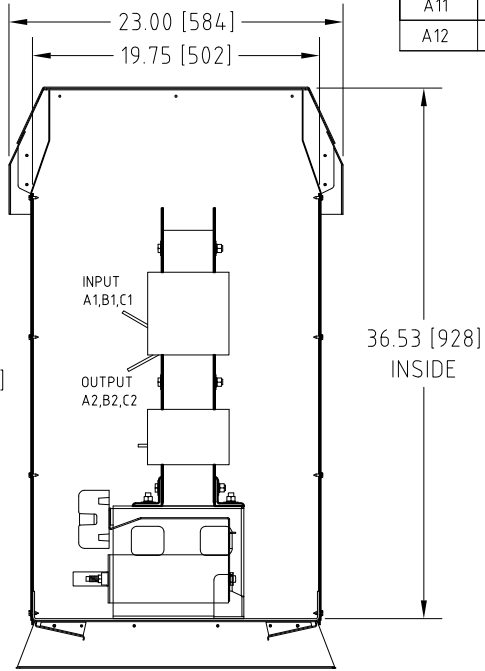


Rev. No.	Revision Note	Date	By	Checked
A11	REVISED CAPACITORS	06-SEP-11	YM	YM
A12	REVISED BRACKETS	08-APR-14	AH	YM



Front View



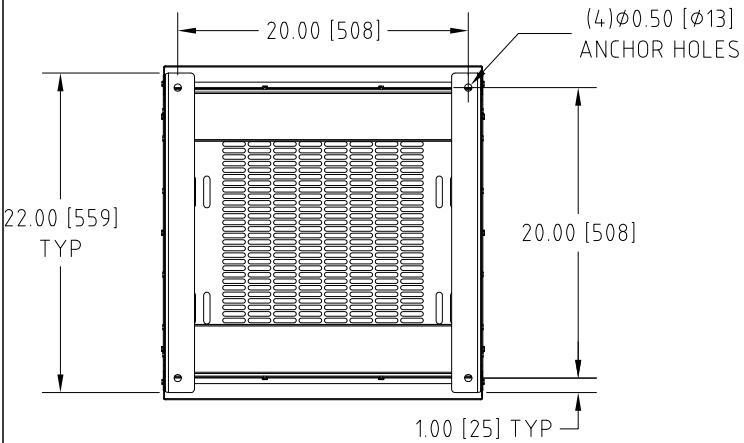
Side View

Connection Diagram

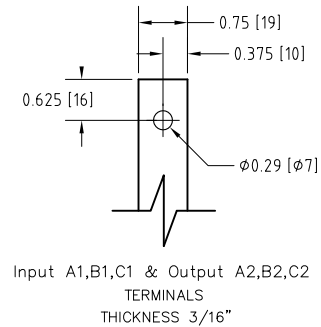
UNIT SPECIFICATIONS				INPUT	OUTPUT	APPROX. WT
HP [kW]	PHASE	VOLTS	Hz	AMPS	kW	lb [kg]
125 [90]	3	600	60	112	104	419 [191]

NOTES:

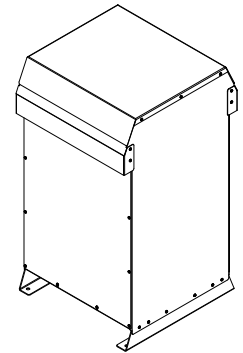
- Customer is responsible for installation to meet all national and local electrical codes and other applicable electrical safety authorities.
- Type 3R Enhanced enclosure suitable for outdoor installation.
- Only front access is required but when floor mounting a minimum of 6" clearance should be provided at rear for proper ventilation.



Bottom View



Input A1,B1,C1 & Output A2,B2,C2
TERMINALS
THICKNESS 3/16"



Isometric View

MIRUS International Inc.		31 Sun Pac Boulevard, Brampton, ON, Canada L6S 5P6 Tel: (905) 494-1120 Fax: (905) 494-1140 Toll Free: 1-888-TO MIRUS			
		Unless otherwise specified, dimensions are in inches and [mm].	Drawn By CW	Date Created 25-SEP-08	Checked by YM
The information contained herein is the sole property of MIRUS International Inc. Any form of reproduction, distribution and/or disclosure of this information, all or in part, is strictly prohibited without the express written consent of MIRUS International Inc.		Title 125 HP, 600 V, 60 HZ LINEATOR™ AUHF (Type-3R Enh.)			
		Filename AUHF-125-600-60-D-E1E-A12	Revision A12	Sheet 1/1	