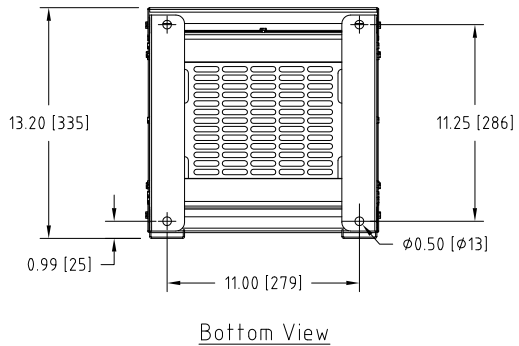
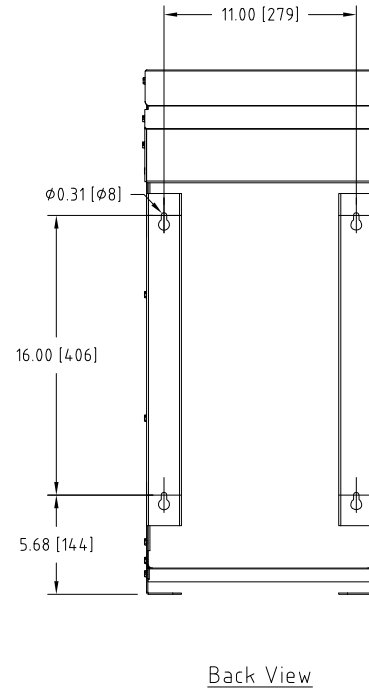
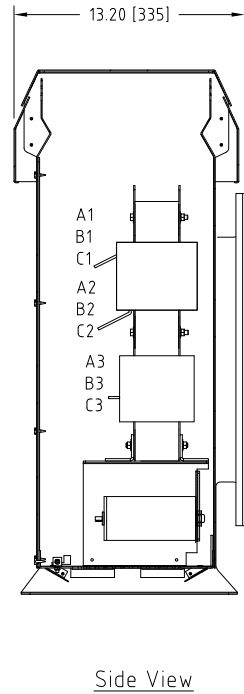
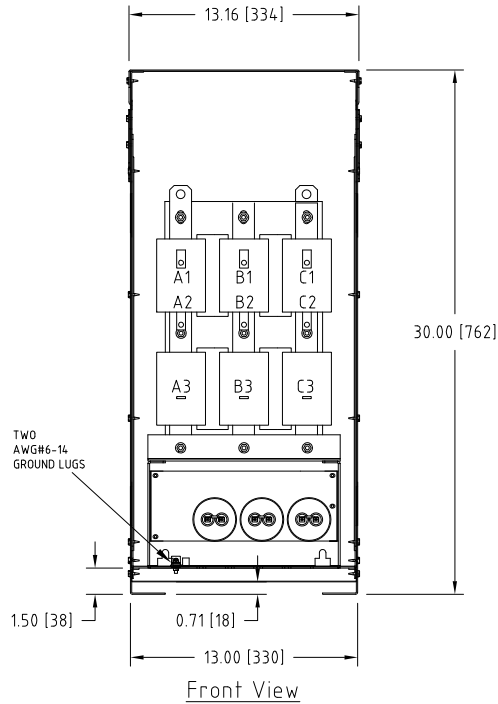
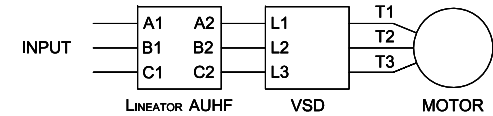


Rev. No.	Revision Note	Date	By	Checked
A5	Revised Capacitors	26-Apr-13	AH	YM
A6	Revised Brackets	07-May-14	AH	YM



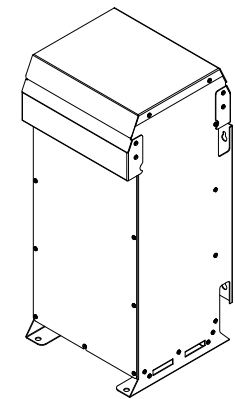
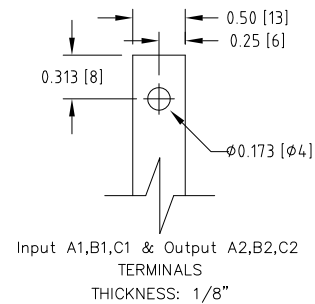
Connection Diagram



UNIT SPECIFICATIONS				INPUT	OUTPUT	APPROX. WT
HP [kW]	PHASE	VOLTS	Hz	AMPS	kW	lb [kg]
15 [11]	3	208	60	4.0	13	120 [55]

NOTES:

- Customer is responsible for installation to meet all national and local electrical codes and other applicable electrical safety authorities.
- Type 3R Enhanced enclosure suitable for outdoor installation.
- Only front access is required but when floor mounting a minimum of 6" clearance should be provided at rear for proper ventilation.



MIRUS International Inc.

31 Sun Pac Boulevard, Brampton, ON, Canada L6S 5P6
Tel:(905) 494-1120 Fax: (905) 494-1140 Toll Free: 1-888-TO MIRUS

Unless otherwise specified, dimensions are in inches and [mm].	Drawn By YM	Date Created 04-Mar-08	Checked by YM	Approved by - date YM-04-Mar-08	Scale NTS
The information contained herein is the sole property of MIRUS International Inc. Any form of reproduction, distribution and/or disclosure of this information, all or in part, is strictly prohibited without the express written consent of MIRUS International Inc.			Title 15 HP, 208 V, 60 Hz LINEATOR™ AUHF (Type-3R Enh.)		
Filename AUHF-15-208-60-D-E1E-A6			Revision A6	Sheet 1/1	