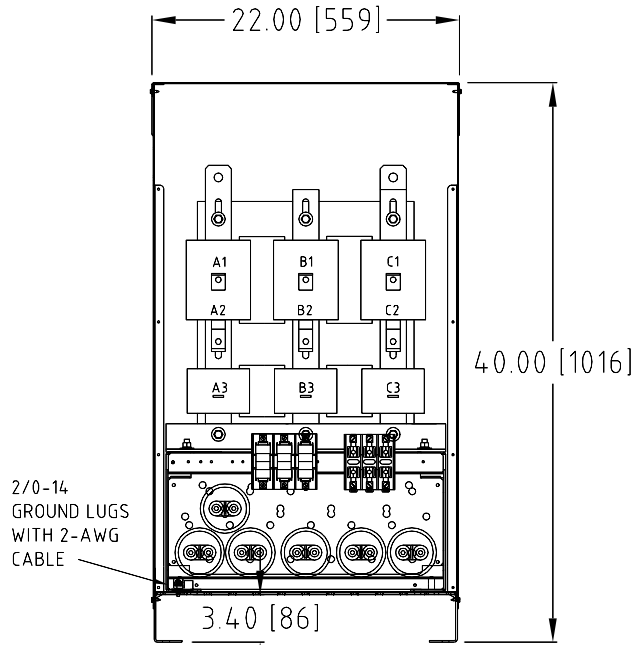
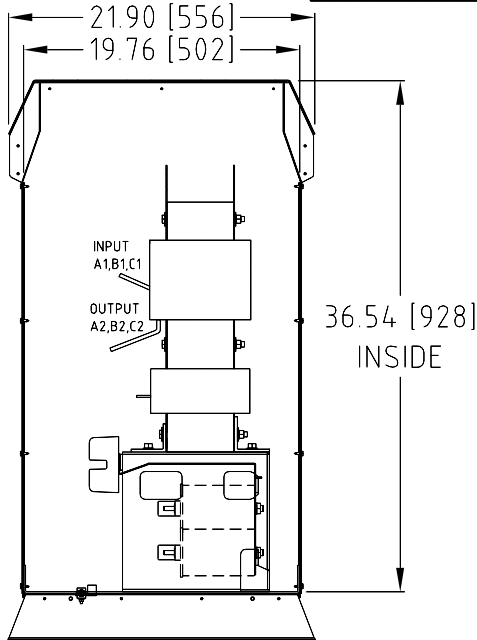


Rev. No.	Revision Note	Date	By	Checked
A12	Revised Busbars and Enclosure	28 JAN 14	AH	YM
A13	Revised Brackets	20 MAR 14	AH	YM



Front View

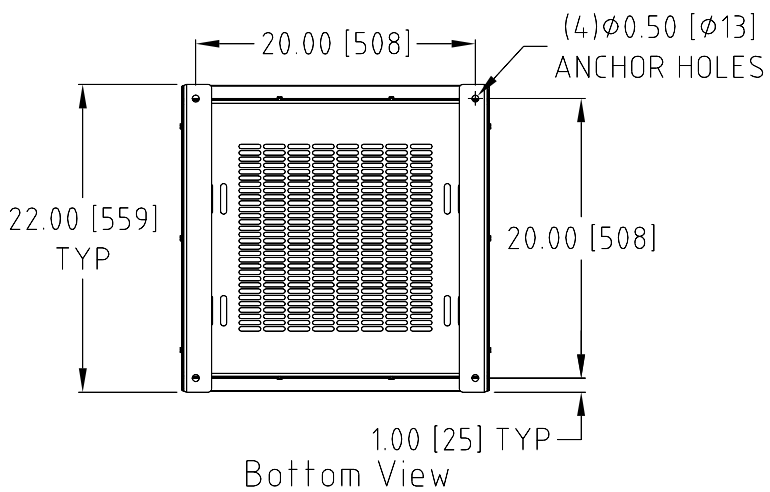


Side View

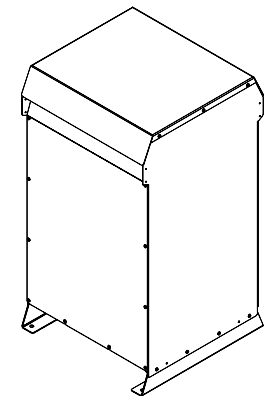
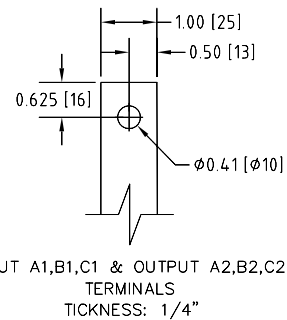
### Connection Diagram

UNIT SPECIFICATIONS				INPUT	OUTPUT	APPROX. WT
HP [kW]	PHASE	VOLTS	Hz	AMPS	kW	lb [kg]
150 [110]	3	480	60	169	125	365 [166]

NOTES:  
 1. Customer is responsible for installation to meet all national and local electrical codes and other applicable electrical safety authorities.  
 2. Type 3R Enclosure requires only front access but minimum 6" clearance should be provided at rear for proper ventilation..



Bottom View



Isometric View

<b>MIRUS International Inc.</b>						31 Sun Pac Boulevard, Brampton, ON, Canada L6S 5P6 Tel: (905) 494-1120 Fax: (905) 494-1140 Toll Free: 1-888-TO MIRUS						
Unless otherwise specified, dimensions are in inches and [mm].			Drawn By EH		Date Created 22-Jun-06		Checked by YM		Approved by - date YM-22-Jun-06		Scale NTS	
The information contained herein is the sole property of MIRUS International Inc. Any form of reproduction, distribution and/or disclosure of this information, all or in part, is strictly prohibited without the express written consent of MIRUS International Inc.							Title 150 HP, 480 V, 60 Hz LINEATOR™ AUHF (Type-3R)					
							Filename AUHF-150-480-60-D-E1-A13			Revision A13		Sheet 1/1