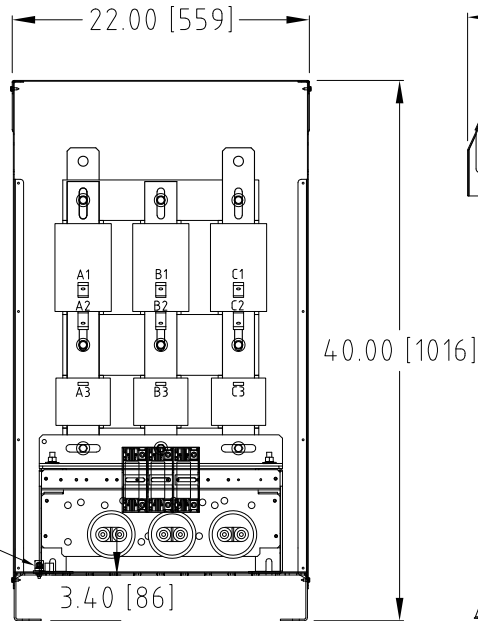
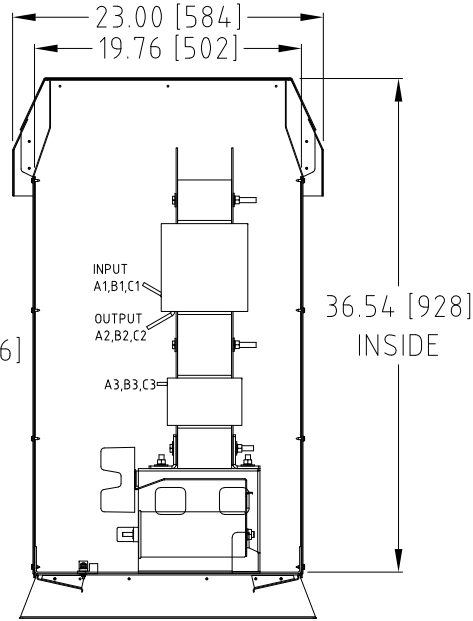


Rev. No.	Revision Note	Date	By	Checked
A13	REVISED BRACKETS	20 MAR 14	AH	YM
A14	REVISED MAGNETICS DESIGN	05-OCT-21	CG	BDK



Front View



Side View

Connection Diagram

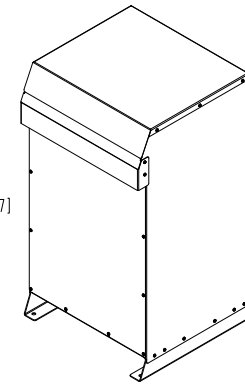
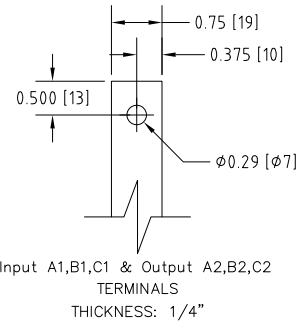
UNIT SPECIFICATIONS				INPUT	OUTPUT	APPROX. WT
HP [kW]	PHASE	VOLTS	Hz	AMPS	kW	lb [kg]
150 [110]	3	480	60	169	125	439 [200]

NOTES:

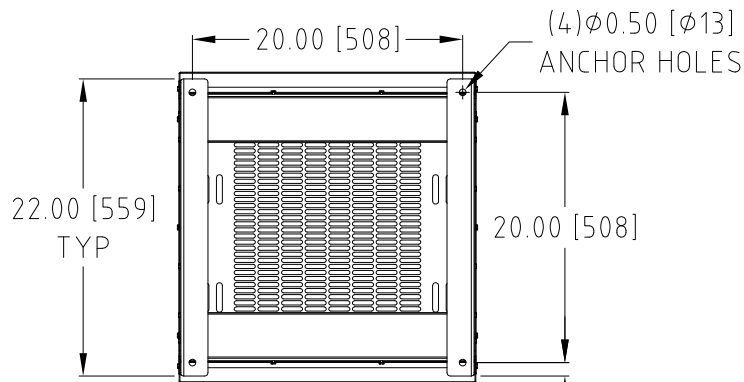
- Customer is responsible for installation to meet all national and local electrical codes and other applicable electrical safety authorities.
- Type 3R enclosure suitable for outdoor installation. Only front access is required but minimum 6" clearance should be provided at rear for proper ventilation.

2/0-14
GROUND
LUGS

3.40 [86]



Isometric View



Bottom View

MIRUS International Inc.		31 Sun Pac Boulevard, Brampton, ON, Canada L6S 5P6 Tel: (905) 494-1120 Fax: (905) 494-1140 Toll Free: 1-888-TO MIRUS			
		Unless otherwise specified, dimensions are in inches and [mm].	Drawn By EH	Date Created 22-Jun-06	Checked by YM
The information contained herein is the sole property of MIRUS International Inc. Any form of reproduction, distribution and/or disclosure of this information, all or in part, is strictly prohibited without the express written consent of MIRUS International Inc.		Title 150 HP, 480 V, 60 Hz LINEATOR™ AUHF (Type-3R Enh.)			
		Filename AUHF-150-480-60-D-E1E-A14		Revision A14	Sheet 1/1