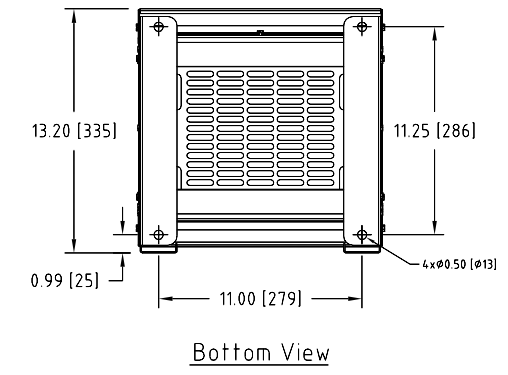
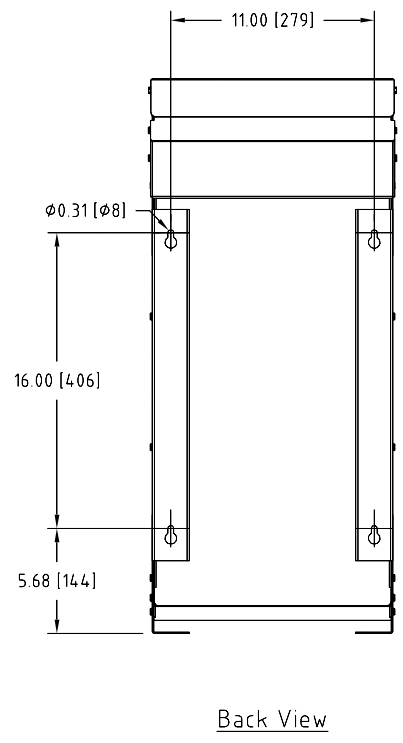
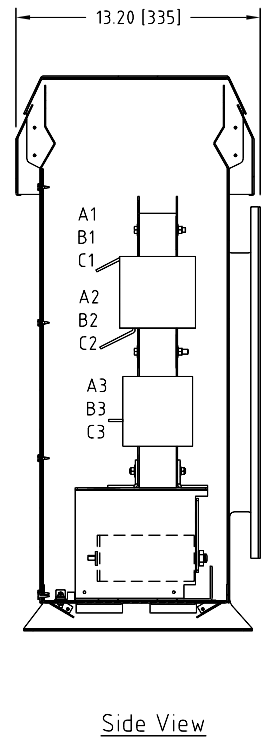
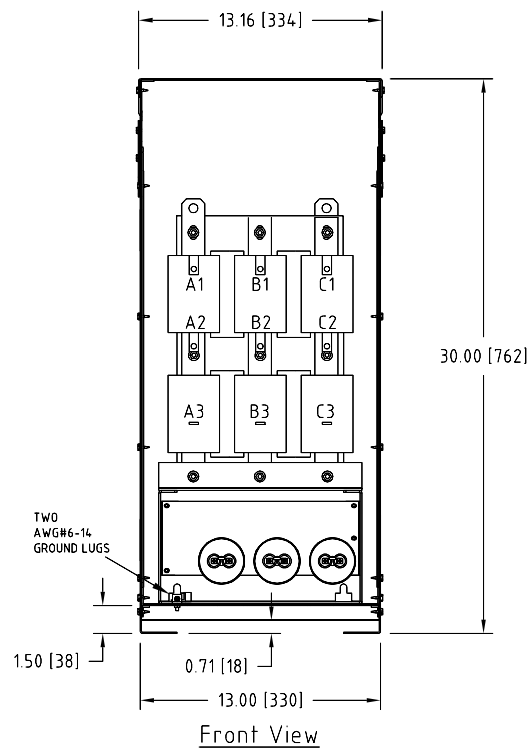


| Rev. No. | Revision Note | Date | By | Checked |
|----------|---|-----------|----|---------|
| A17 | Changed mounting holes for SU2 enclosure. | 13-JUN-09 | YM | YM |
| A18 | Brackets Revised | 14-JAN-14 | AH | YM |

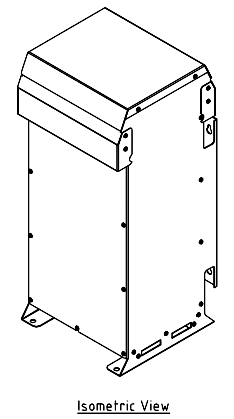
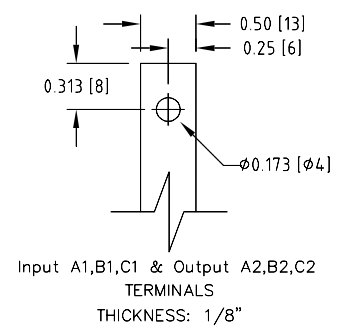


Connection Diagram

| UNIT SPECIFICATIONS | | | | INPUT | OUTPUT | APPROX. WT |
|---------------------|-------|-------|----|-------|--------|------------|
| HP [kW] | PHASE | VOLTS | Hz | AMPS | kW | lb [kg] |
| 20 [15] | 3 | 480 | 60 | 23 | 17 | 104 [27] |

NOTES:

- Customer is responsible for installation to meet all national and local electrical codes and other applicable electrical safety authorities.
- Type 3R Enhanced enclosure suitable for outdoor installation. Only front access is required but minimum 6" clearance should be provided at rear for proper ventilation.



MIRUS International Inc.

31 Sun Pac Boulevard, Brampton, ON, Canada L6S 5P6
Tel: (905) 494-1120 Fax: (905) 494-1140 Toll Free: 1-888-TO MIRUS

| | | | | | |
|--|----------------|---------------------------|--|------------------------------------|--------------|
| Unless otherwise specified, dimensions are in inches and [mm]. | Drawn By JH | Date Created 25-Oct-05 | Checked by YM | Approved by - date YM-25-Oct-05 | Scale NTS |
| The information contained herein is the sole property of MIRUS International Inc. Any form of reproduction, distribution and/or disclosure of this information, all or in part, is strictly prohibited without the express written consent of MIRUS International Inc. | | | Title 20 Hp, 480 V, 60 Hz LINEATOR™ AUHF (Type-3R Enh.) | | |
| | | | Filename AUHF-20-480-60-D-E1E-A18 | Revision A18 | Sheet 1/1 |