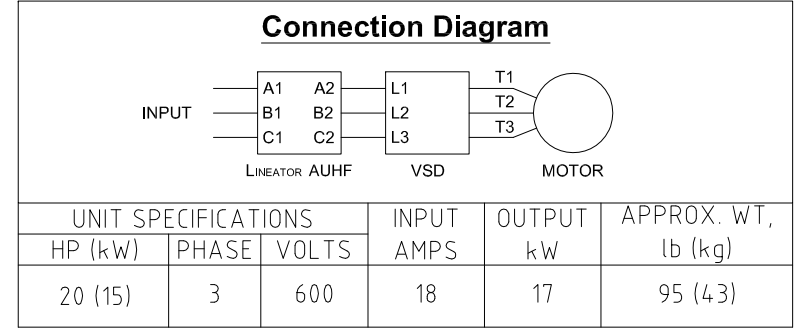
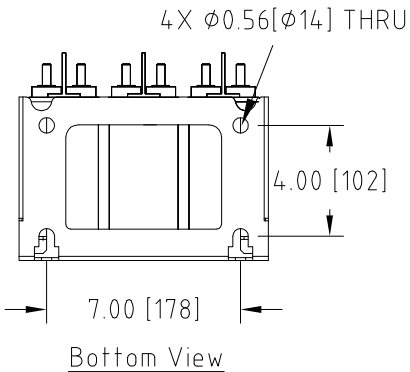
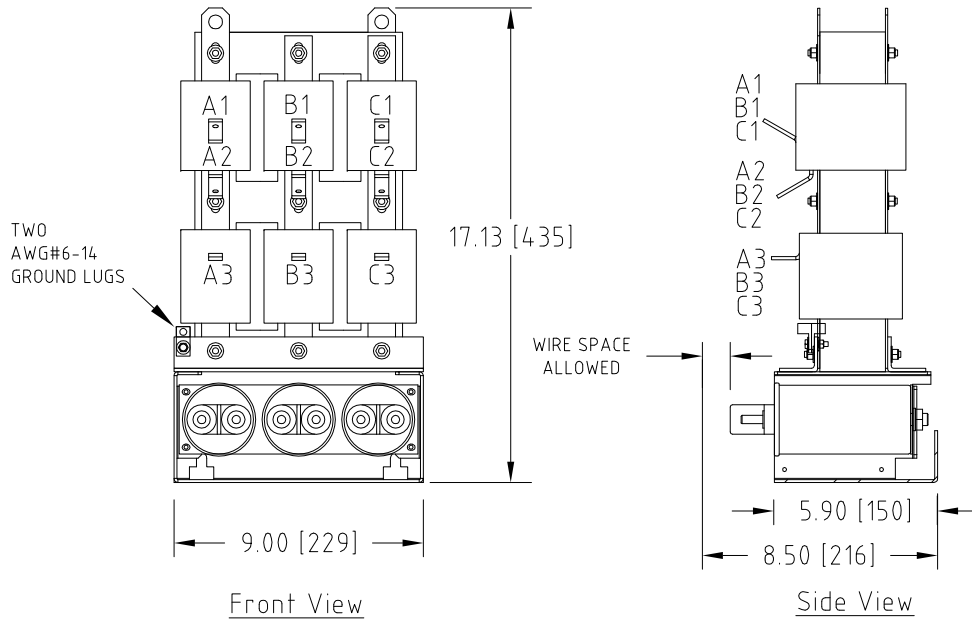
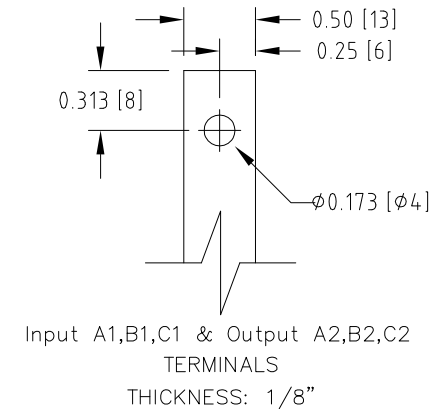


Rev. No.	Revision Note	Date	By	Checked
A21	Capacitors Revised	04-MAR-15	AH	YM
A22	CHANGED E1 ENCLOSURE TO SU1	30-NOV-15	CG	AH



- NOTES:
- CUSTOMER IS RESPONSIBLE FOR INSTALLATION TO MEET ALL NATIONAL AND LOCAL ELECTRICAL CODES AND OTHER APPLICABLE ELECTRICAL SAFETY AUTHORITIES.
 - CUSTOMER IS RESPONSIBLE FOR PROPER COOLING OF FILTER COMPONENTS. ALLOWED AMBIENT: MAXIMUM 60°C, MINIMUM -40°C. A MINIMUM CLEARANCE OF 2" MUST BE ALLOWED ON BOTH RIGHT AND LEFT SIDES. PROPER VENTILATION MUST ENSURE THAT SUPPLY AIR FLOWS THROUGH THE REACTOR COILS FROM BELOW THE UNIT.



MIRUS International Inc.		31 Sun Pac Boulevard, Brampton, ON, Canada L6S 5P6 Tel: (905) 494-1120 Fax: (905) 494-1140 Toll Free: 1-888-T0 MIRUS			
		Unless otherwise specified, dimensions are in inches and [mm].	Drawn by WXY	Date 26-OCT-09	Checked by YM
The information contained herein is the sole property of MIRUS International Inc. Any form of reproduction, distribution and/or disclosure of this information, all or in part, is strictly prohibited without the express written consent of MIRUS International Inc.		Title 20HP, 600V, 60Hz Panel Mount Style Lineator AUHF			
		Filename AUHF-20-600-60-D-E0-A22		Revision A22	Sheet 1/1