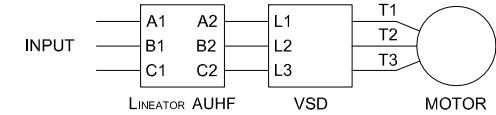


Rev. No.	Revision Note	Date	By	Checked
A21	Capacitors Revised	04-MAR-15	AH	YM
A22	CHANGED E1 ENCLOSURE TO SU1	30-NOV-15	CG	AH

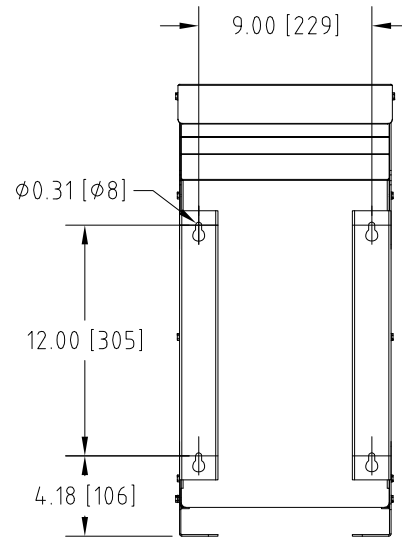
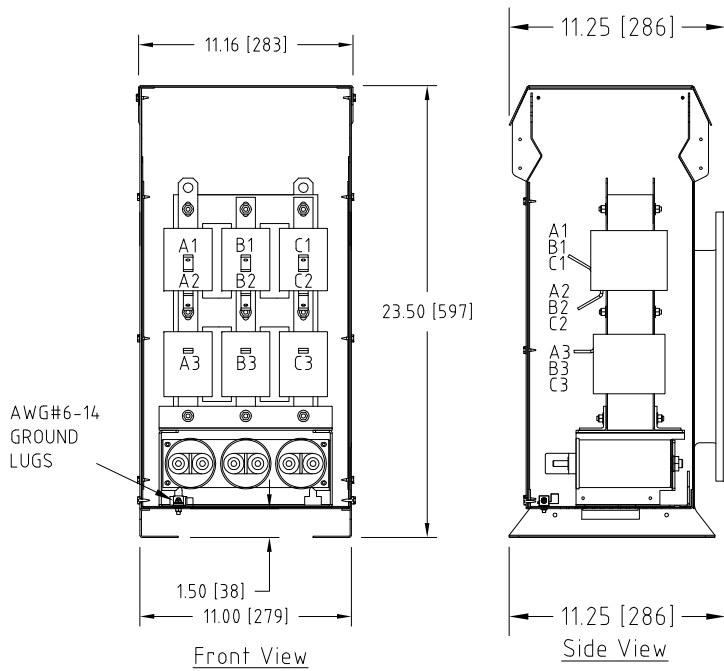
Connection Diagram



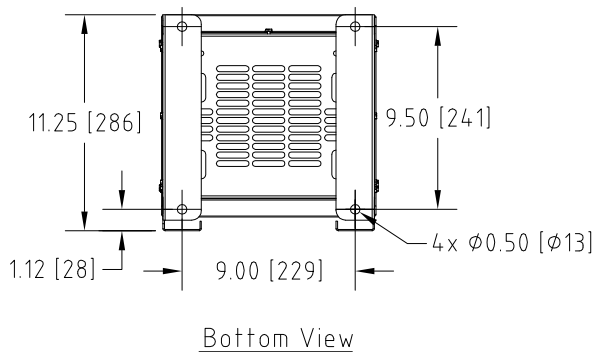
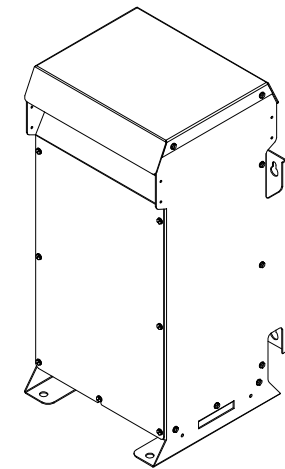
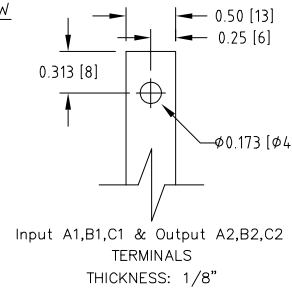
UNIT SPECIFICATIONS			INPUT	OUTPUT	APPROX. WT,
HP (kW)	PHASE	VOLTS	AMPS	kW	lb (kg)
20 (15)	3	600	18	17	108 (49)

NOTES:

- Customer is responsible for installation to meet all national and local electrical codes and other applicable electrical safety authorities.
- Type 3R Enclosure requires only front access but minimum 6" clearance should be provided at rear for proper ventilation..



Back View



MIRUS International Inc.

31 Sun Pac Boulevard, Brampton, ON, Canada L6S 5P6
Tel: (905) 494-1120 Fax: (905) 494-1140 Toll Free: 1-888-T0 MIRUS

Unless otherwise specified, dimensions are in inches and [mm].	Drawn by WXY	Date 26-OCT-09	Checked by YM	Approved by - date YM - 26-OCT-09	Scale NTS
The information contained herein is the sole property of MIRUS International Inc. Any form of reproduction, distribution and/or disclosure of this information, all or in part, is strictly prohibited without the express written consent of MIRUS International Inc.		Title 20HP, 600V, 60Hz Enclosure Style Lineator AUHF			
		Filename AUHF-20-600-60-D-E1-A22	Revision A22	Sheet 1/1	