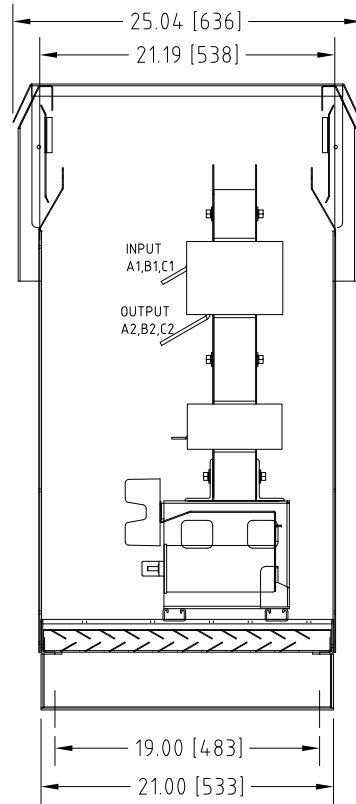
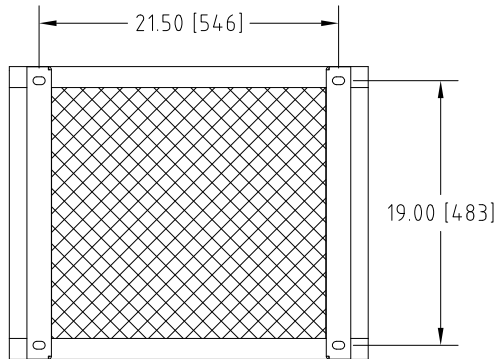


Front View



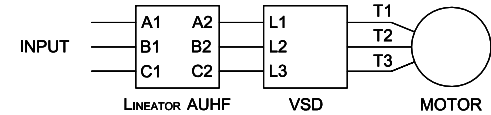
Side View



Bottom View

Rev. No.	Revision Note	Date	By	Checked
A18	CHANGED CAPACITORS POSITION	09-FEB-2016	CG	AH
A19	REVISED DESIGN TO 0013	12-FEB-2018	CG	AH

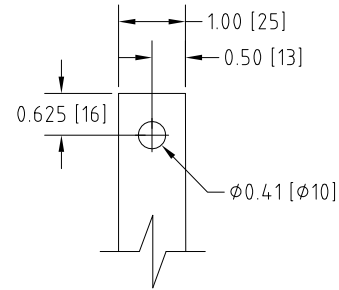
**Connection Diagram**



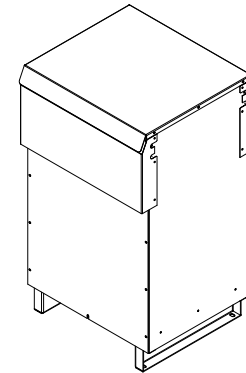
UNIT SPECIFICATIONS				INPUT	OUTPUT	APPROX. WT
HP [kW]	PHASE	VOLTS	Hz	AMPS	kW	lb [kg]
200 [150]	3	480	60	226	168	475 [216]

NOTES:

- Customer is responsible for installation to meet all national and local electrical codes and other applicable electrical safety authorities.
- Type 3R Enhanced enclosure suitable for outdoor installation. Only front access is required but minimum 6" clearance should be provided at rear for proper ventilation.



INPUT A1,B1,C1 & OUTPUT A2,B2,C2  
TERMINALS  
THICKNESS: 1/4"



Isometric View

**MIRUS International Inc.**

31 Sun Pac Boulevard, Brampton, ON, Canada L6S 5P6  
Tel: (905) 494-1120 Fax: (905) 494-1140 Toll Free: 1-888-TO MIRUS

Unless otherwise specified, dimensions are in inches and [mm].	Drawn By EH	Date Created 04-Jun-07	Checked by AH	Approved by - date AH-04-Jun-07	Scale NTS
The information contained herein is the sole property of MIRUS International Inc. Any form of reproduction, distribution and/or disclosure of this information, all or in part, is strictly prohibited without the express written consent of MIRUS International Inc.			Title 200 HP, 480 V, 60 Hz LINEATOR™ AUHF (Type-3R Enh.)		
Filename AUHF-200-480-60-D-E1E-A19			Revision A19	Sheet 1/1	