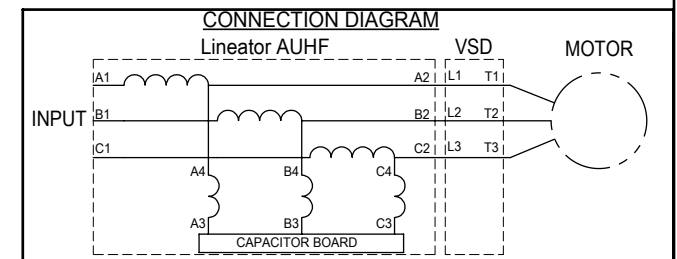
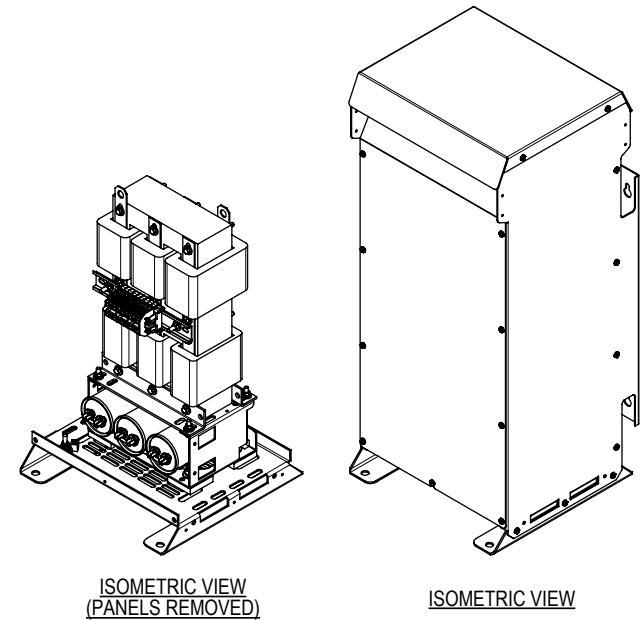


NOTES:
1. CUSTOMER IS RESPONSIBLE FOR INSTALLATION TO MEET ALL NATIONAL AND LOCAL ELECTRICAL CODES AND OTHER APPLICABLE ELECTRICAL SAFETY AUTHORITIES.
2. TYPE 3R ENCLOSURE REQUIRES ONLY FRONT ACCESS BUT MINIMUM 6" CLEARANCE SHOULD BE PROVIDED AT REAR FOR PROPER VENTILATION.

REV	DESCRIPTION	DATE	BY	APP



UNIT SPECIFICATIONS				INPUT AMPS	OUTPUT AMPS	OUTPUT kW	HEAT LOSS W	APPROX. WT lbs [kg]
HP [kW]	PHASE	VOLTS	Hz	23	24	17	224	95 [43]
20 [15]	3	480	60	29	31	21	277	100 [45]

THE INFORMATION CONTAINED HEREIN IS THE SOLE PROPERTY OF MIRUS INTERNATIONAL INC. ANY FORM OF REPRODUCTION, DISTRIBUTION AND/OR DISCLOSURE OF THIS INFORMATION, ALL OR IN PART, IS STRICTLY PROHIBITED WITHOUT THE EXPRESS WRITTEN CONSENT OF MIRUS INTERNATIONAL INC.

DRAWN: CG APPROVED: BDK
SCALE: NTS DATE: 27-APR-2022

MIRUSInternational Inc.
31 Sun Pac Boulevard, Brampton Ontario Canada L6S 5P6
1-888-TO MIRUS www.mirusinternational.com

TITLE: 20 to 25 HP, 480 V, 60 Hz
LINEATOR AUHF, ENCLOSED

ELEC FILE NO. AUHF-20to25-480-60-D-EX-R0	DRAWING NO. AUHF-20to25-480-60-D-E-1	SHT OF	REV
		1 OF 1	R0