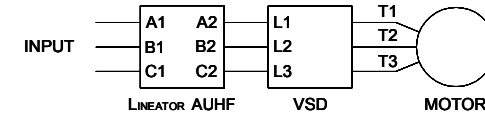


Rev. No.	Revision Note	Date	By	Checked
A17	Terminals bent 90 degrees.	24-JUN-08	CG	YM
A18	Brackets Revised	14-JAN-14	AH	YM

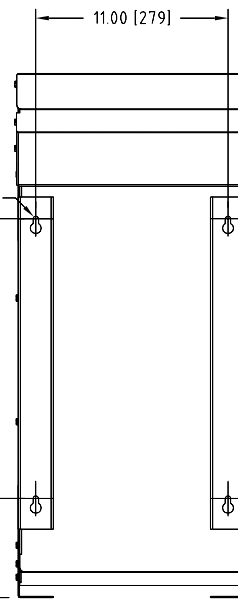
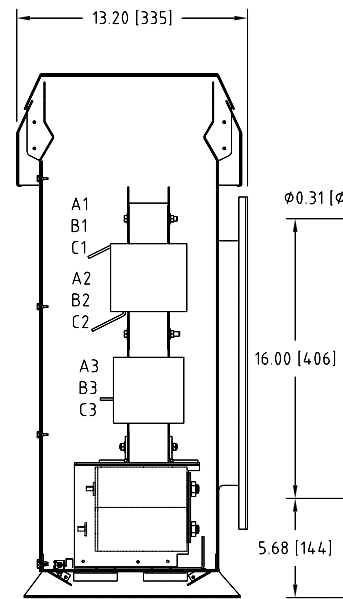
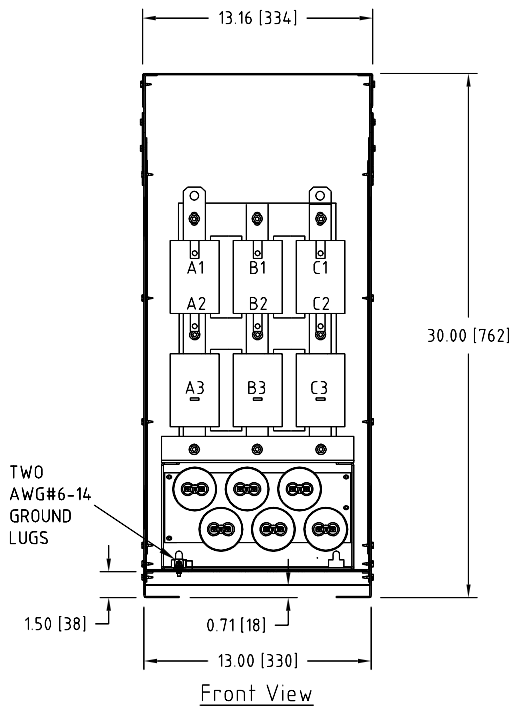
### Connection Diagram



UNIT SPECIFICATIONS				INPUT	OUTPUT	APPROX. WT
HP [kW]	PHASE	VOLTS	Hz	AMPS	kW	lb [kg]
25 [18.5]	3	480	60	29	21	116 [53]

#### NOTES:

- Customer is responsible for installation to meet all national and local electrical codes and other applicable electrical safety authorities.
- Type 3R Enhanced enclosure suitable for outdoor installation. Only front access is required but minimum 6" clearance should be provided at rear for proper ventilation.



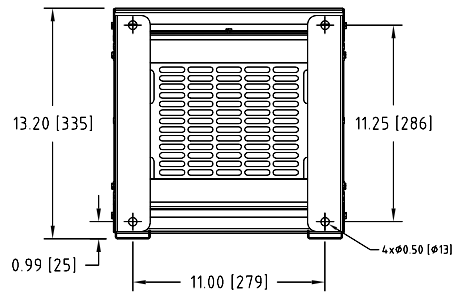
Side View

Back View

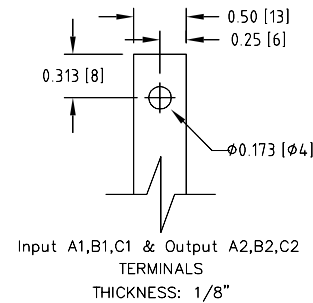
TWO AWG#6-14 GROUND LUGS

1.50 [38]

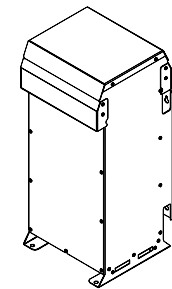
Front View



Bottom View



Input A1,B1,C1 & Output A2,B2,C2  
TERMINALS  
THICKNESS: 1/8"



Isometric View

<b>MIRUS International Inc.</b>		31 Sun Pac Boulevard, Brampton, ON, Canada L6S 5P6 Tel:(905) 494-1120 Fax: (905) 494-1140 Toll Free: 1-888-TO MIRUS			
Unless otherwise specified, dimensions are in inches and [mm].	Drawn By JH	Date Created 25-Oct-05	Checked by YM	Approved by - date YM-25-Oct-05	Scale NTS
The information contained herein is the sole property of MIRUS International Inc. Any form of reproduction, distribution and/or disclosure of this information, all or in part, is strictly prohibited without the express written consent of MIRUS International Inc.		Title 25 HP, 480 V, 60 Hz LINEATOR™ AUHF (Type-3R Enh.)			
		Filename AUHF-25-480-60-D-E1E-A18	Revision A18	Sheet 1/1	