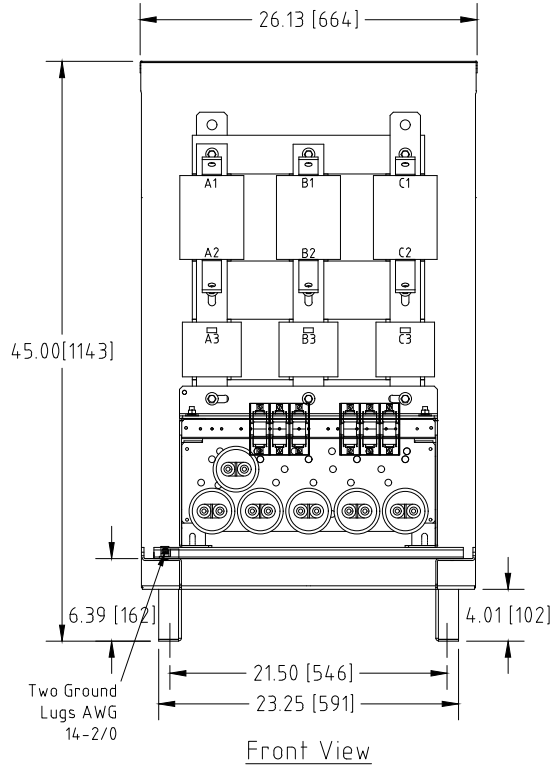
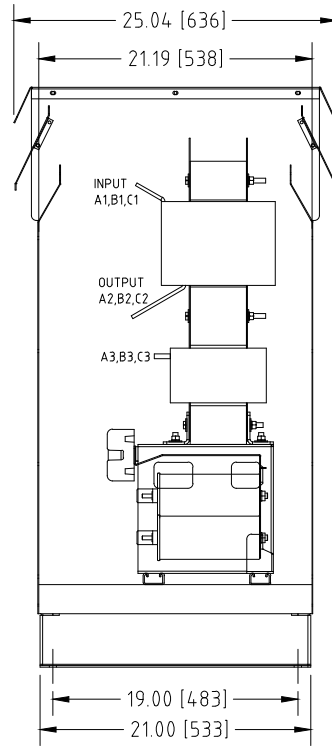


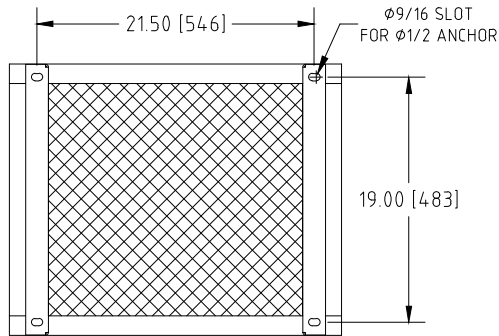
| Rev. No. | Revision Note | Date | By | Checked |
|----------|--|-------------|----|---------|
| A19 | REVISED ID0 TRIM LEVEL | 23-NOV-2020 | CG | AH |
| A20 | REVISED MAGNETICS AND CAPACITOR DESIGN | 07-APR-2021 | CG | BDK |



Front View

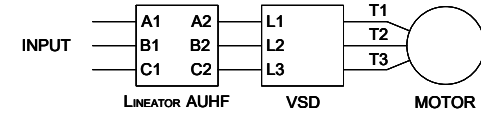


Side View



Bottom View

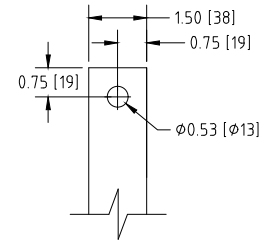
Connection Diagram



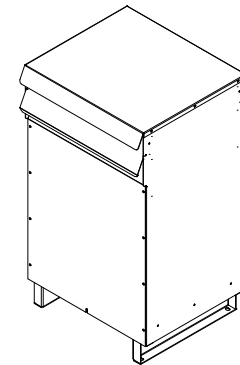
| UNIT SPECIFICATIONS | | | | INPUT | OUTPUT | APPROX. WT |
|---------------------|-------|-------|----|-------|--------|------------|
| HP [kW] | PHASE | VOLTS | Hz | AMPS | kW | lb [kg] |
| 250 [185] | 3 | 480 | 60 | 281 | 209 | 565 [257] |

NOTES:

- Customer is responsible for installation to meet all national and local electrical codes and other applicable electrical safety authorities.
- Type 3R Enclosure requires only front access but minimum 6" clearance should be provided at rear for proper ventilation..



INPUT A1,B1,C1 & OUTPUT A2,B2,C2
TERMINALS
THICKNESS: 1/4"



Isometric View

MIRUS International Inc.

31 Sun Pac Boulevard, Brampton, ON, Canada L6S 5P6
Tel: (905) 494-1120 Fax: (905) 494-1140 Toll Free: 1-888-T0 MIRUS

| | | | | | |
|--|----------------|---|------------------|--------------------------------------|--------------|
| Unless otherwise specified, dimensions are in inches and [mm]. | Drawn By YM | Date Created 12-Jan-06 | Checked by CG | Approved by - date CG-25-JUN-2019 | Scale NTS |
| The information contained herein is the sole property of MIRUS International Inc. Any form of reproduction, distribution and/or disclosure of this information, all or in part, is strictly prohibited without the express written consent of MIRUS International Inc. | | Title 250 HP, 480 V, 60 Hz LINEATOR™ AUHF (Type-3R) | | | |
| | | Filename AUHF-250-480-60-D-E1-A20 | | Revision A20 | Sheet 1/1 |