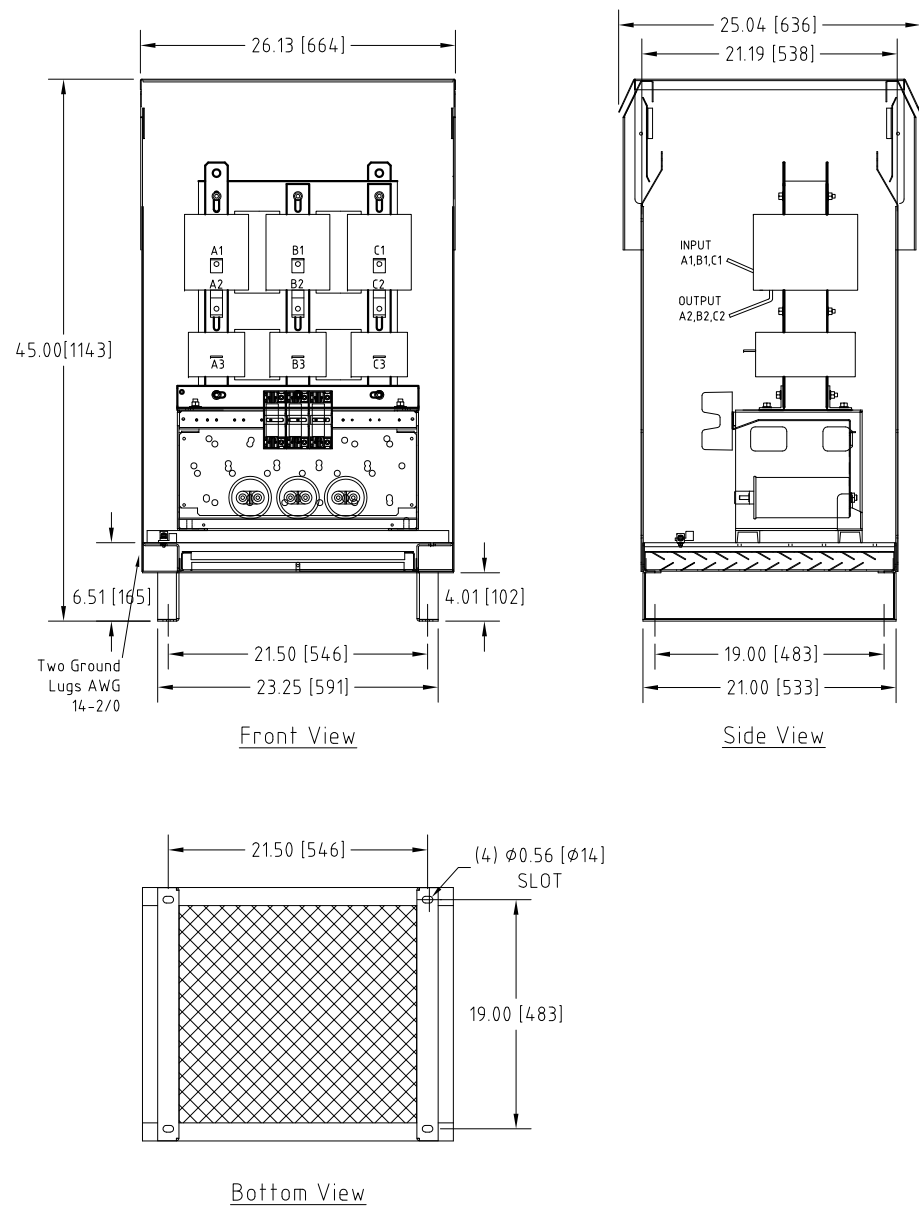
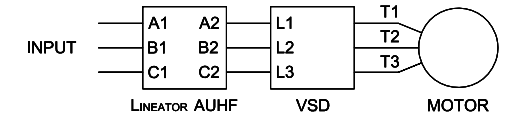


Rev. No.	Revision Note	Date	By	Checked
A17	HEIGHT DIMENSION ADJUSTED	01-OCT-15	AH	YM
A18	REVISED BRACKETS	19-MAR-14	AH	YM

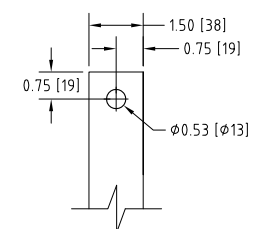


Connection Diagram

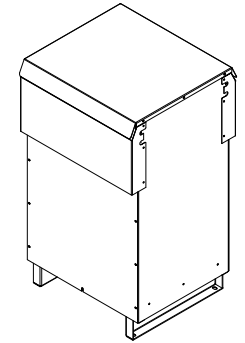


UNIT SPECIFICATIONS				INPUT	OUTPUT	APPROX. WT
HP [kW]	PHASE	VOLTS	Hz	AMPS	kW	lb [kg]
250 [185]	3	480	60	281	209	640 [290]

NOTES:
 1. Customer is responsible for installation to meet all national and local electrical codes and other applicable electrical safety authorities.
 2. Type 3R Enhanced enclosure suitable for outdoor installation. Only front access is required but minimum 6" clearance should be provided at rear for proper ventilation.



INPUT A1,B1,C1 & OUTPUT A2,B2,C2
 TERMINALS
 THICKNESS: 1/4"



Isometric View

MIRUS International Inc. 31 Sun Pac Boulevard, Brampton, ON, Canada L6S 5P6
 Tel: (905) 494-1120 Fax: (905) 494-1140 Toll Free: 1-888-TO MIRUS

Unless otherwise specified, dimensions are in inches and [mm].	Drawn By YM	Date Created 12-JAN-06	Checked by CG	Approved by - date CG-25-JUN-2019	Scale NTS
The information contained herein is the sole property of MIRUS International Inc. Any form of reproduction, distribution and/or disclosure of this information, all or in part, is strictly prohibited without the express written consent of MIRUS International Inc.			Title 250 HP, 480 V, 60 Hz LINEATOR™ AUHF (Type-3R Enh.)		
Filename AUHF-250-480-60-D-E1E-A18			Revision A18	Sheet 1/1	