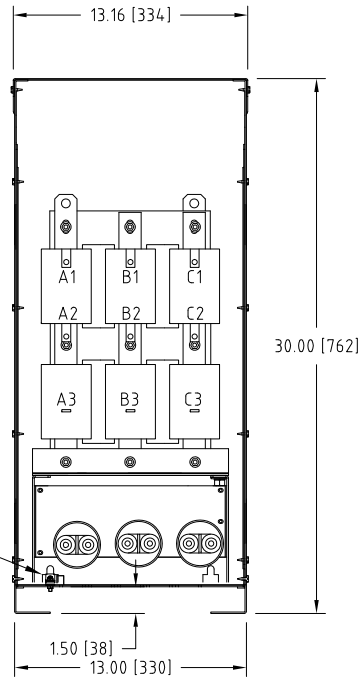
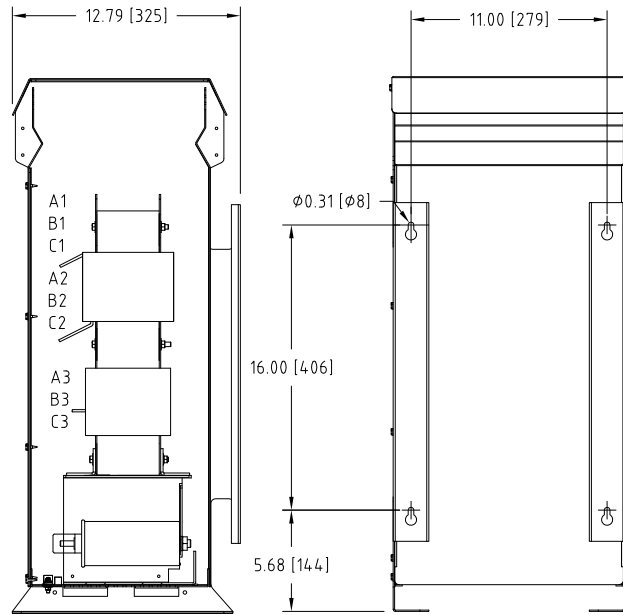


Rev. No.	Revision Note	Date	By	Checked
A20	BRACKETS REVISED	14-MAR-14	AH	YM
A21	CAPACITORS REVISED	18-NOV-14	AH	YM

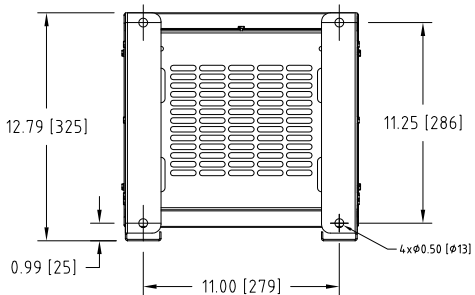


Front View



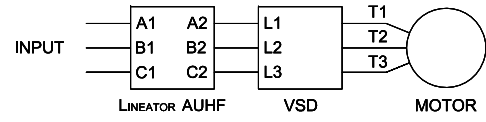
Side View

Back View



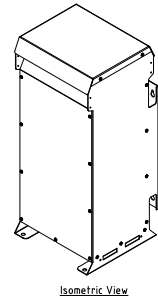
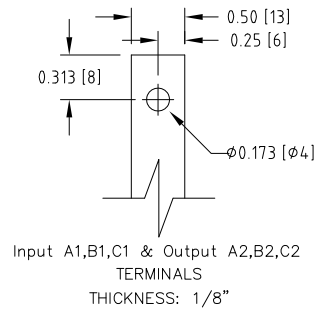
Bottom View

Connection Diagram



UNIT SPECIFICATIONS				INPUT	OUTPUT	APPROX. WT
HP [kW]	PHASE	VOLTS	Hz	AMPS	kW	lb [kg]
25 [18.5]	3	600	60	23	21	106 [48]
30 [22]	3	600	60	28	25	125 [57]

NOTES:
 1. Customer is responsible for installation to meet all national and local electrical codes and other applicable electrical safety authorities.
 2. Type 3R Enclosure requires only front access but minimum 6" clearance should be provided at rear for proper ventilation..



MIRUS International Inc. 31 Sun Pac Boulevard, Brampton, ON, Canada L6S 5P6
 Tel:(905) 494-1120 Fax: (905) 494-1140 Toll Free: 1-888-TO MIRUS

Unless otherwise specified, dimensions are in inches and [mm].	Drawn By JH	Date Created 14-Oct-05	Checked by YM	Approved by - date YM-04-Oct-05	Scale NTS
The information contained herein is the sole property of MIRUS International Inc. Any form of reproduction, distribution and/or disclosure of this information, all or in part, is strictly prohibited without the express written consent of MIRUS International Inc.			Title 25-30 HP, 600 V, 60 Hz LINEATOR™ AUHF (Type-3R)		Revision A21
Filename AUHF-25to30-600-60-D-E1-A21			Sheet 1/1		