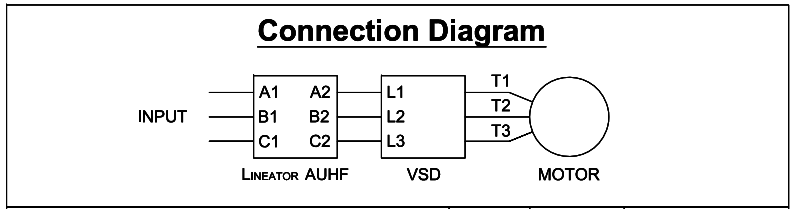
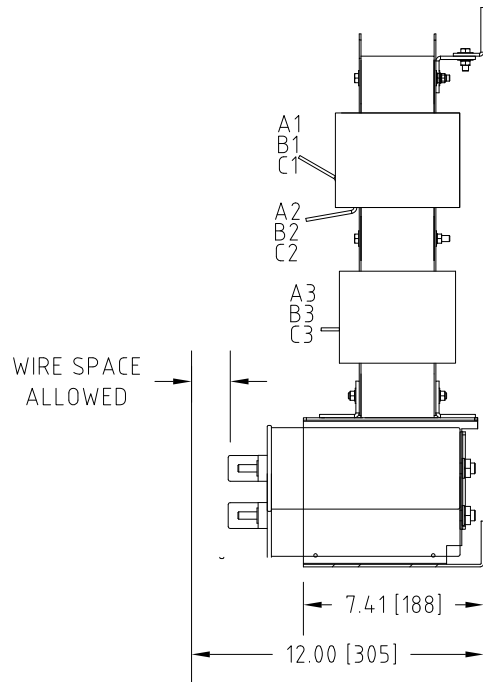
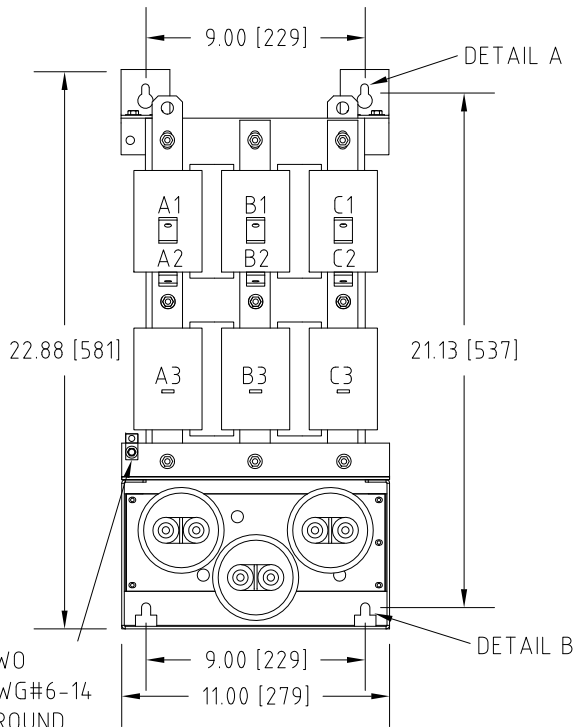


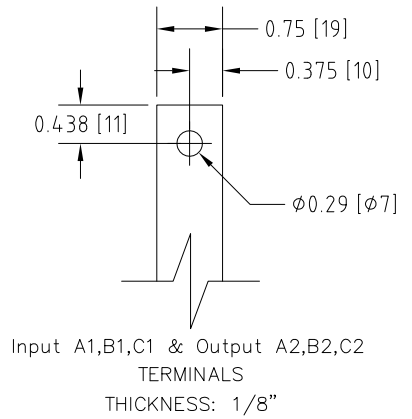
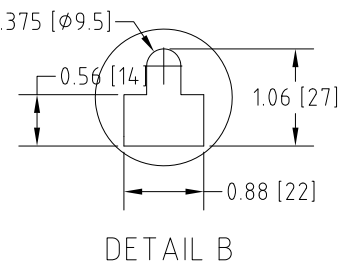
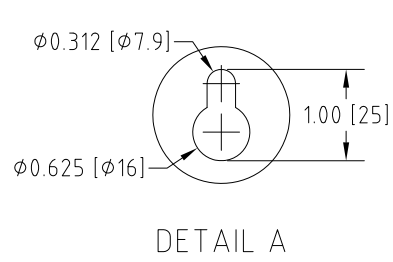
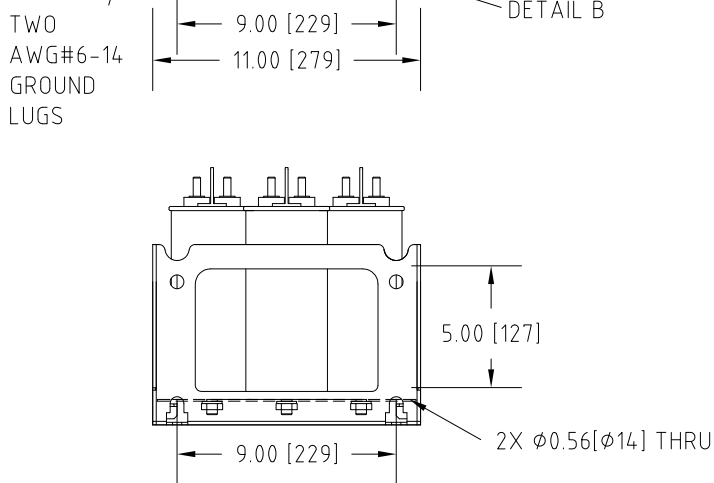
Rev. No.	Revision Note	Date	By	Checked
A2	TAB POSITION REVISED	10-DEC-14	YM	YM
A3	BRACKETS REVISED	10-NOV-15	AH	YM



UNIT SPECIFICATIONS				INPUT	OUTPUT	APPROX. WT
HP [kW]	PHASE	VOLTS	Hz	AMPS	kW	lb [kg]
30 [22]	3	208	60	79	25	130 [59]

NOTES:

- Customer is responsible for installation to meet all national and local electrical codes and other applicable electrical safety authorities.
- Customer is responsible for proper cooling of filter components. Allowed ambient: Maximum 60°C, Minimum -40°C. A minimum clearance of 2 inches must be allowed on both right and left sides.



Bottom View

MIRUS International Inc. #12-6805 Invader Cres., Mississauga, ON, Canada L5T 2K6
 Tel:(905) 565-6900 Fax: (905) 565-6911 Toll Free: 1-888-TO MIRUS

Unless otherwise specified, dimensions are in inches and [mm].	Drawn By WXY	Date Created 20-NOV-09	Checked by YM	Approved by - date YM-20-NOV-09	Scale NTS
The information contained herein is the sole property of MIRUS International Inc. Any form of reproduction, distribution and/or disclosure of this information, all or in part, is strictly prohibited without the express written consent of MIRUS International Inc.			Title 30 HP, 208 V, 60 Hz LINEATOR AUHF (Panel Mount)		
			Filename AUHF-30-208-60-D-E0P-A3	Revision A3	Sheet 1/1