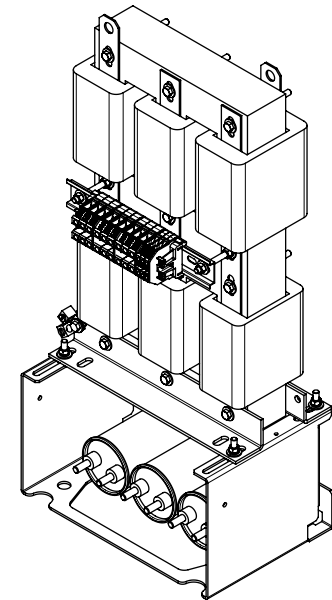
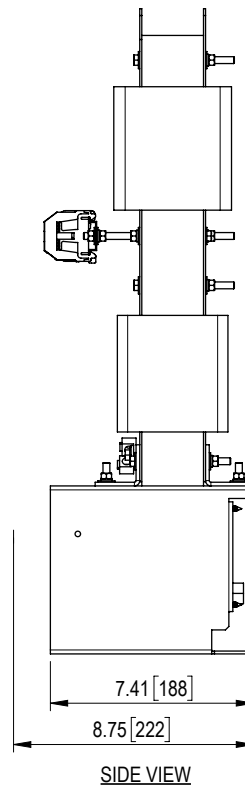
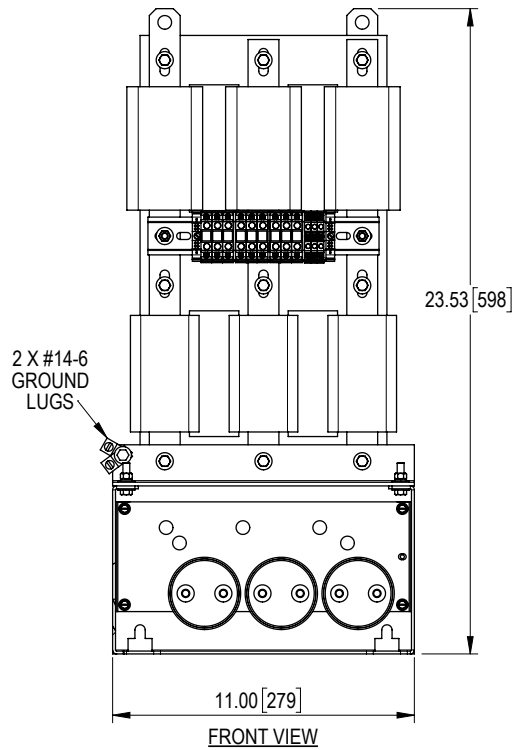
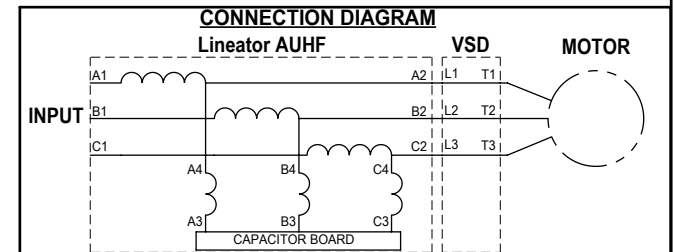
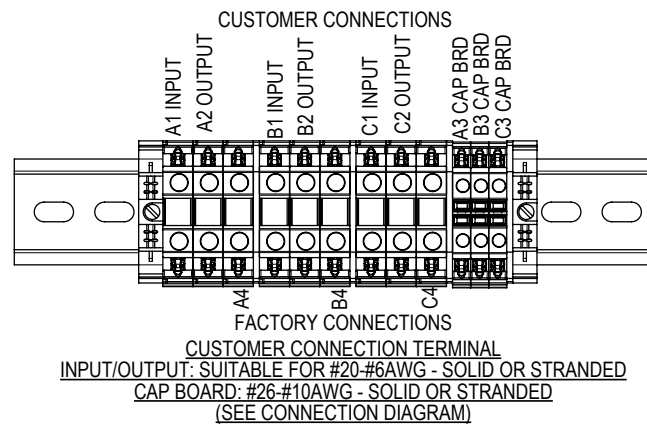
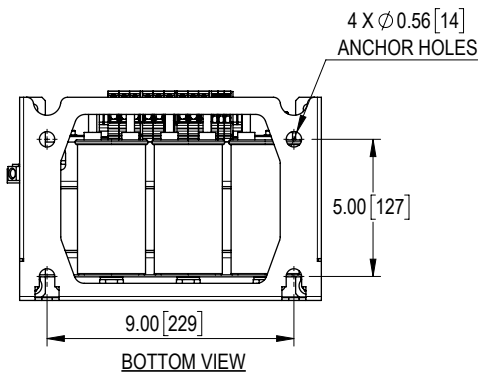


REV	DESCRIPTION	DATE	BY	APP



ISOMETRIC VIEW



UNIT SPECIFICATIONS				INPUT	OUTPUT	OUTPUT	HEAT LOSS	APPROX. WT
HP [kW]	PHASE	VOLTS	Hz	AMPS	AMPS	kW	W	lbs [kg]
30 [22]	3	480	60	34	36	25	329	100 [45]

THE INFORMATION CONTAINED HEREIN IS THE SOLE PROPERTY OF MIRUS INTERNATIONAL INC. ANY FORM OF REPRODUCTION, DISTRIBUTION AND/OR DISCLOSURE OF THIS INFORMATION, ALL OR IN PART, IS STRICTLY PROHIBITED WITHOUT THE EXPRESS WRITTEN CONSENT OF MIRUS INTERNATIONAL INC.

DRAWN CG	APPROVED BDK	MIRUS International Inc. 31 Sun Pac Boulevard, Brampton Ontario Canada L6S 5P6 1-888-TO MIRUS www.mirusinternational.com
SCALE NTS	DATE 09-AUG-2022	

TITLE

30 HP, 480 V, 60 Hz
LINEATOR AUHF, OPEN STYLE

ELEC FILE NO. AUHF-30-480-60-D-EX-R0	DRAWING NO. AUHF-30-480-60-D-E0	SHT OF	REV 1 R0
---	------------------------------------	-----------	----------------

- NOTES:
1. CUSTOMER IS RESPONSIBLE FOR INSTALLATION TO MEET ALL NATIONAL AND LOCAL ELECTRICAL CODES AND OTHER APPLICABLE ELECTRICAL SAFETY AUTHORITIES.
 2. CUSTOMER IS RESPONSIBLE FOR PROPER COOLING OF FILTER COMPONENTS. ALLOWED AMBIENT: MAXIMUM 60 °C, MINIMUM -40 °C. A MINIMUM CLEARANCE OF 2" MUST BE ALLOWED ON BOTH RIGHT AND LEFT SIDES. PROPER VENTILATION MUST ENSURE THAT SUPPLY AIR FLOWS THROUGH THE REACTOR COILS FROM BELOW THE UNIT.