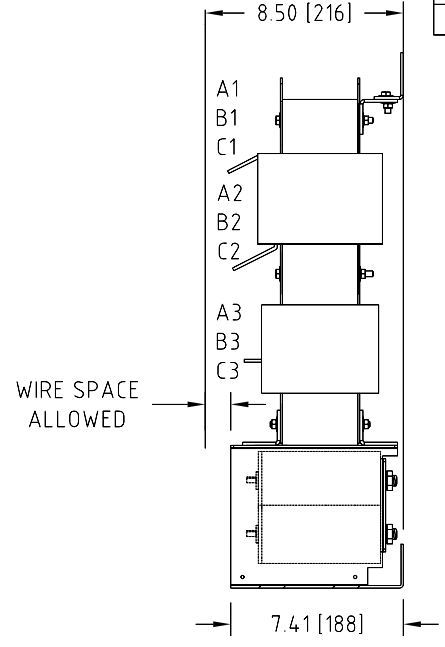
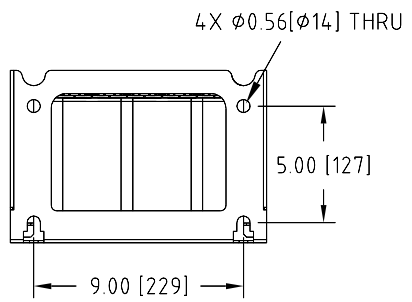


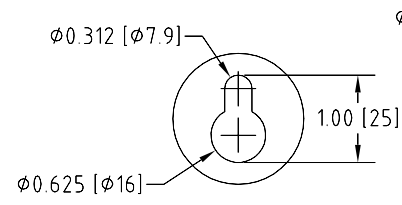
Front View



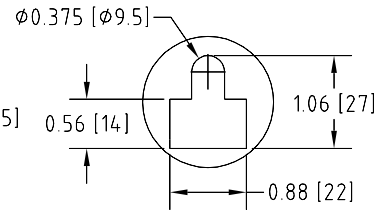
Side View



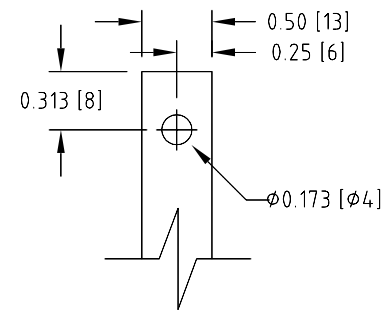
Bottom View



Detail A

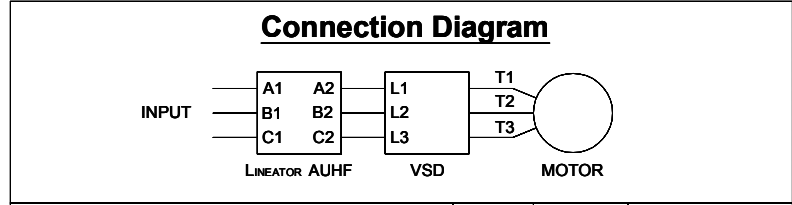


Detail B



Input A1,B1,C1 & Output A2,B2,C2
TERMINALS
THICKNESS: 1/8"

Rev. No.	Revision Note	Date	By	Checked
A18	Terminals bent 90 degrees.	24-JUN-08	CG	YM
A19	Revised Design	21-NOV-13	AH	YM



UNIT SPECIFICATIONS				INPUT	OUTPUT	APPROX. WT
HP [kW]	PHASE	VOLTS	Hz	AMPS	kW	lb [kg]
30 [22]	3	480	60	34	25	152 [69]

NOTES:

- Customer is responsible for installation to meet all national and local electrical codes and other applicable electrical safety authorities.
- Type 3R Enhanced enclosure suitable for outdoor installation. Only front access is required but minimum 6" clearance should be provided at rear for proper ventilation.

MIRUS International Inc. 31 Sun Pac Boulevard, Brampton, ON, Canada L6S 5P6
Tel: (905) 494-1120 Fax: (905) 494-1140 Toll Free: 1-888-TO MIRUS

Unless otherwise specified, dimensions are in inches and [mm].	Drawn By JH	Date Created 25-Oct-05	Checked by YM	Approved by - date YM-25-Oct-05	Scale NTS
The information contained herein is the sole property of MIRUS International Inc. Any form of reproduction, distribution and/or disclosure of this information, all or in part, is strictly prohibited without the express written consent of MIRUS International Inc.			Title 30 HP, 480 V, 60 Hz LINEATOR™ AUHF (Panel Mount)		
Filename AUHF-30-480-60-D-E0P-A19			Revision A19	Sheet 1/1	