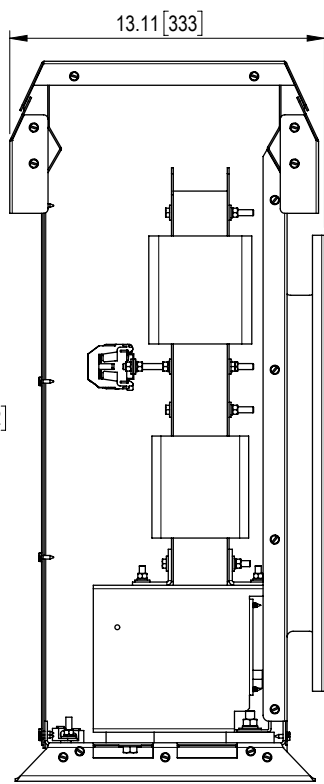
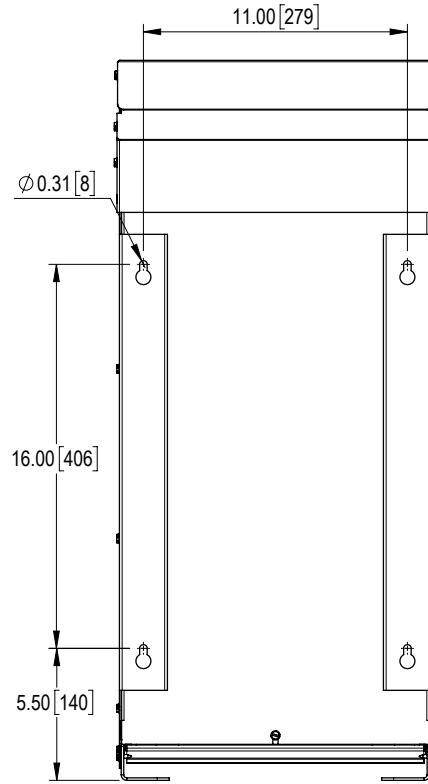


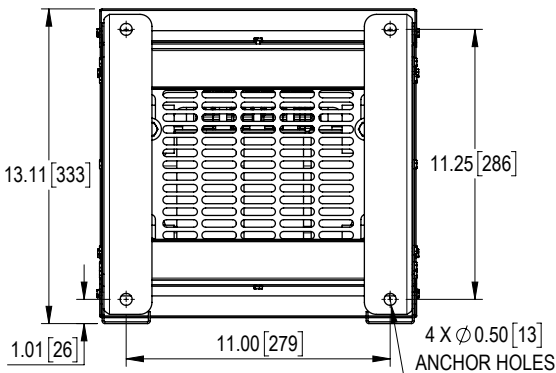
FRONT VIEW



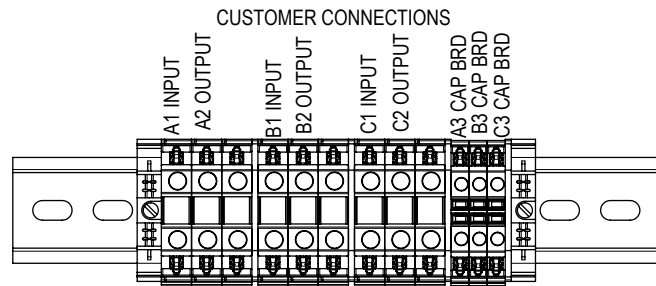
SIDE VIEW



BACK VIEW



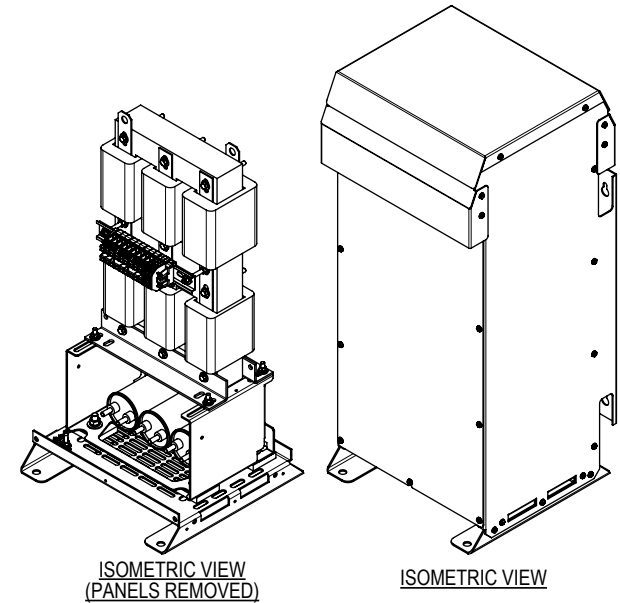
BOTTOM VIEW



CUSTOMER CONNECTIONS
 A1 INPUT A2 OUTPUT B1 INPUT B2 OUTPUT C1 INPUT C2 OUTPUT
 A3 CAP BRD B3 CAP BRD C3 CAP BRD
 FACTORY CONNECTIONS
 CUSTOMER CONNECTION TERMINAL
 INPUT/OUTPUT: SUITABLE FOR #20-#6AWG - SOLID OR STRANDED
 CAP BOARD: #26-#10AWG - SOLID OR STRANDED
 (SEE CONNECTION DIAGRAM)

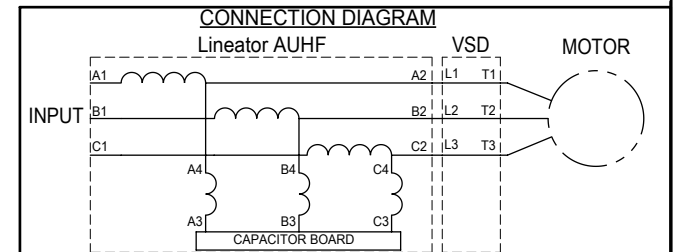
NOTES:
 1. CUSTOMER IS RESPONSIBLE FOR INSTALLATION TO MEET ALL NATIONAL AND LOCAL ELECTRICAL CODES AND OTHER APPLICABLE ELECTRICAL SAFETY AUTHORITIES.
 2. TYPE 3R ENHANCED ENCLOSURE REQUIRES ONLY FRONT ACCESS BUT MINIMUM 6" CLEARANCE SHOULD BE PROVIDED AT REAR FOR PROPER VENTILATION.

REV	DESCRIPTION	DATE	BY	APP



ISOMETRIC VIEW
(PANELS REMOVED)

ISOMETRIC VIEW



UNIT SPECIFICATIONS				INPUT	OUTPUT	OUTPUT	HEAT LOSS	APPROX. WT
HP [kW]	PHASE	VOLTS	Hz	AMPS	AMPS	kW	W	lbs [kg]
30 [22]	3	480	60	34	36	25	329	145 [66]

THE INFORMATION CONTAINED HEREIN IS THE SOLE PROPERTY OF MIRUS INTERNATIONAL INC. ANY FORM OF REPRODUCTION, DISTRIBUTION AND/OR DISCLOSURE OF THIS INFORMATION, ALL OR IN PART, IS STRICTLY PROHIBITED WITHOUT THE EXPRESS WRITTEN CONSENT OF MIRUS INTERNATIONAL INC.

DRAWN CG	APPROVED BDK	
SCALE NTS	DATE 09-AUG-2022	

TITLE
 30 HP, 480 V, 60 Hz
 LINEATOR AUHF, ENH ENCLOSED

ELEC FILE NO. AUHF-30-480-60-D-EX-R0	DRAWING NO. AUHF-30-480-60-D-E1E	SHT OF	REV R0
---	-------------------------------------	-----------	-----------