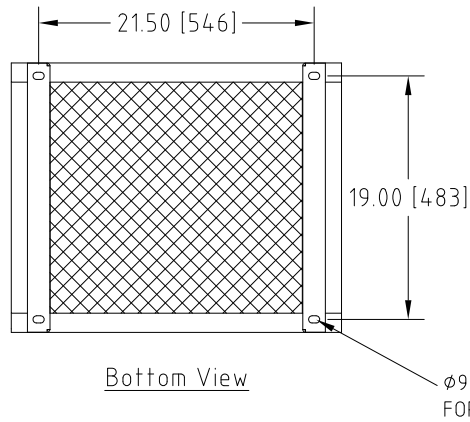
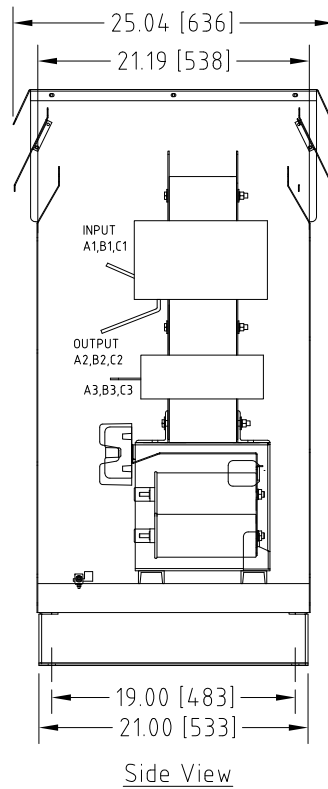
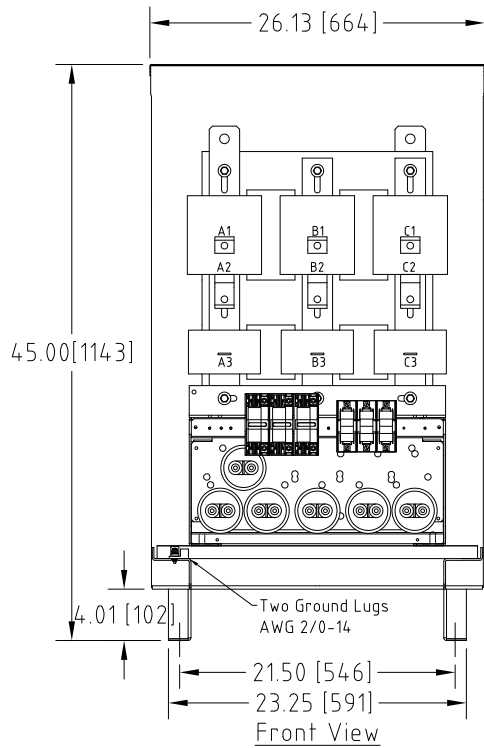
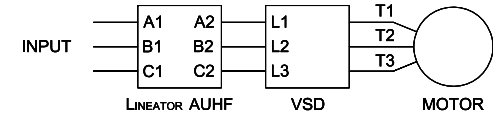


Rev. No.	Revision Note	Date	By	Checked
A5	WEIGHT UPDATED	14-APR-14	PH	CG
A6	REVISED NAMEPLATE DATA	11-AUG-2020	CG	AH



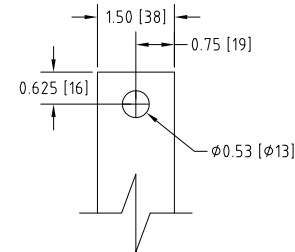
Connection Diagram



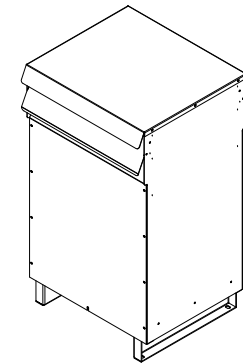
UNIT SPECIFICATIONS				INPUT	OUTPUT	APPROX. WT
HP [kW]	PHASE	VOLTS	Hz	AMPS	kW	lb [kg]
300 [220]	3	480	60	337	251	749 [340]

NOTES:

- Customer is responsible for installation to meet all national and local electrical codes and other applicable electrical safety authorities.
- Type 3R Enclosure requires only front access but minimum 6" clearance should be provided at rear for proper ventilation..



INPUT A1,B1,C1 & OUTPUT A2,B2,C2
TERMINALS
THICKNESS: 1/4"



Isometric View

MIRUS International Inc.

31 Sun Pac Boulevard, Brampton, ON, Canada L6S 5P6
Tel:(905) 494-1120 Fax: (905) 494-1140 Toll Free: 1-888-TO MIRUS

Unless otherwise specified, dimensions are in inches and [mm].	Drawn By CW	Date Created 28-Mar-08	Checked by YM	Approved by - date YM-28-MAR-08	Scale NTS
The information contained herein is the sole property of MIRUS International Inc. Any form of reproduction, distribution and/or disclosure of this information, all or in part, is strictly prohibited without the express written consent of MIRUS International Inc.			Title 300 HP, 480 V, 60 Hz LINEATOR™ AUHF (Type-3R)		
Filename AUHF-300-480-60-D-E1-A6			Revision A6	Sheet 1/1	