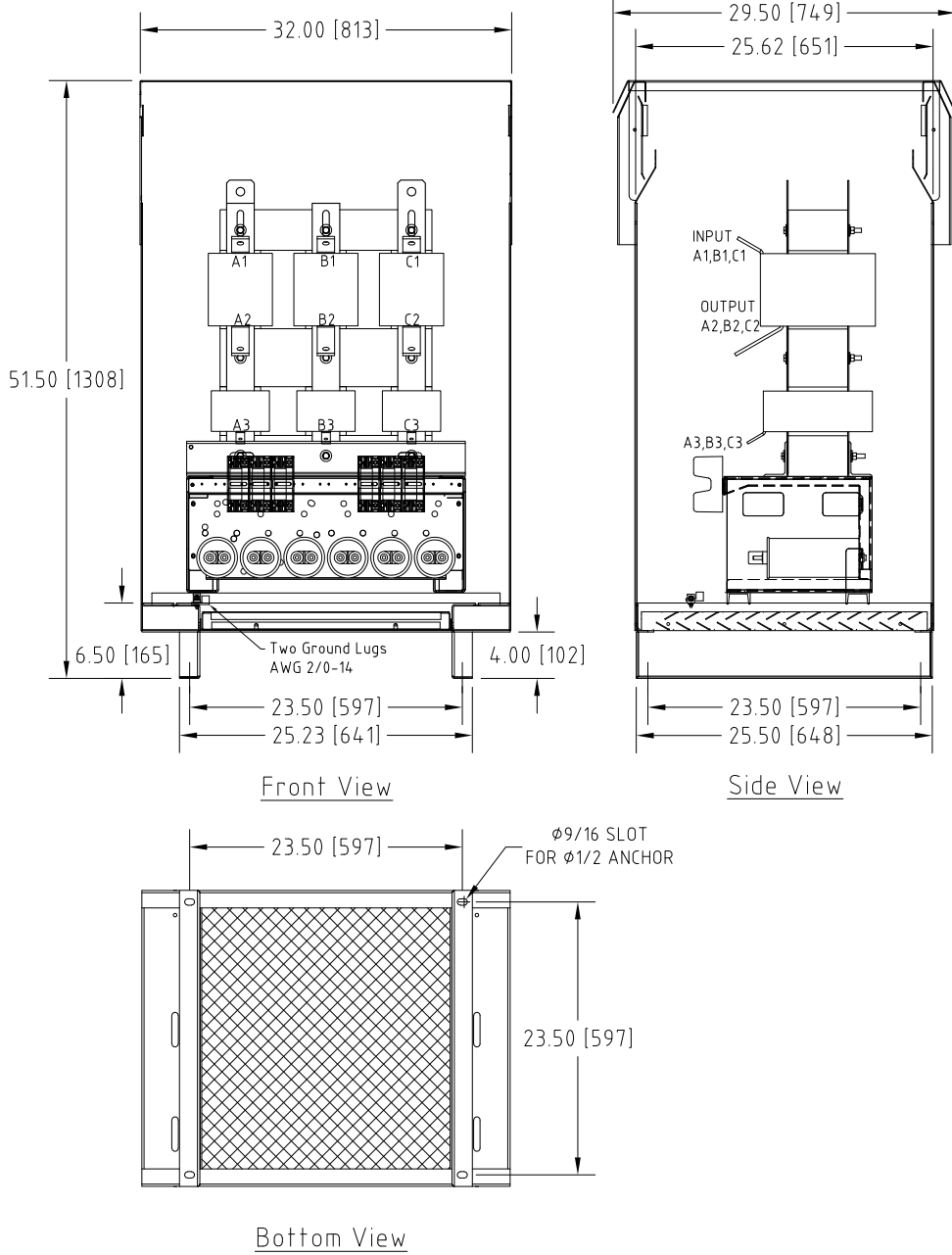
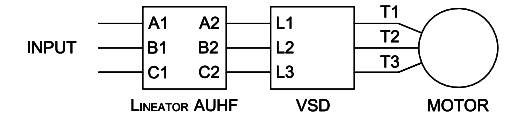


Rev. No.	Revision Note	Date	By	Checked
A6	REVISED NAMEPLATE DATA	11-AUG-2020	CG	AH
A7	REVISED MAGNETICS DESIGN	11-MAR-2021	CG	BDK

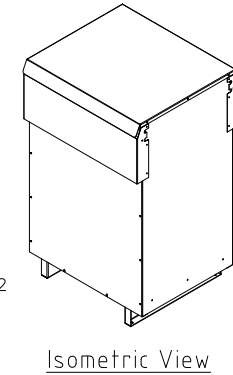
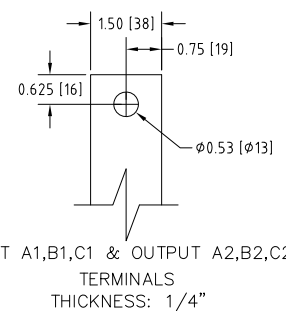


### Connection Diagram



UNIT SPECIFICATIONS				INPUT	OUTPUT	APPROX. WT
HP [kW]	PHASE	VOLTS	Hz	AMPS	kW	lb [kg]
300 [220]	3	480	60	337	251	875 [397]

**NOTES:**  
 1. CUSTOMER IS RESPONSIBLE FOR INSTALLATION TO MEET ALL NATIONAL AND LOCAL ELECTRICAL CODES AND OTHER APPLICABLE ELECTRICAL SAFETY AUTHORITIES.  
 2. TYPE 3R ENHANCED ENCLOSURE SUITABLE FOR OUTDOOR INSTALLATION. ONLY FRONT ACCESS IS REQUIRED BUT MINIMUM 6" CLEARANCE SHOULD BE PROVIDED AT REAR FOR PROPER VENTILATION.



**MIRUS International Inc.**  
 31 Sun Pac Boulevard, Brampton, ON, Canada L6S 5P6  
 Tel: (905) 494-1120 Fax: (905) 494-1140 Toll Free: 1-888-TO MIRUS

Unless otherwise specified, dimensions are in inches and [mm].	Drawn By CW	Date Created 28-Mar-08	Checked by YM	Approved by - date YM-28-MAR-08	Scale NTS
The information contained herein is the sole property of MIRUS International Inc. Any form of reproduction, distribution and/or disclosure of this information, all or in part, is strictly prohibited without the express written consent of MIRUS International Inc.			Title 300 HP, 480 V, 60 Hz LINEATOR™ AUHF (Type-3R Enh.)		
Filename AUHF-300-480-60-D-E1E-A7			Revision A7	Sheet 1/1	