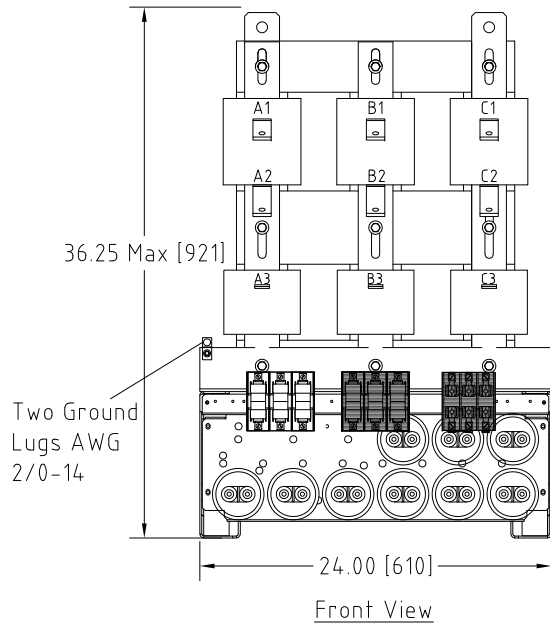
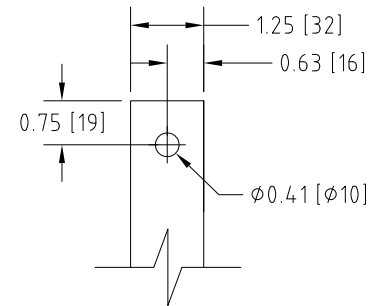
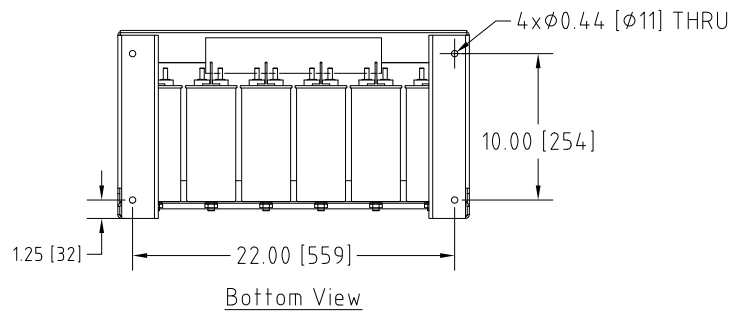
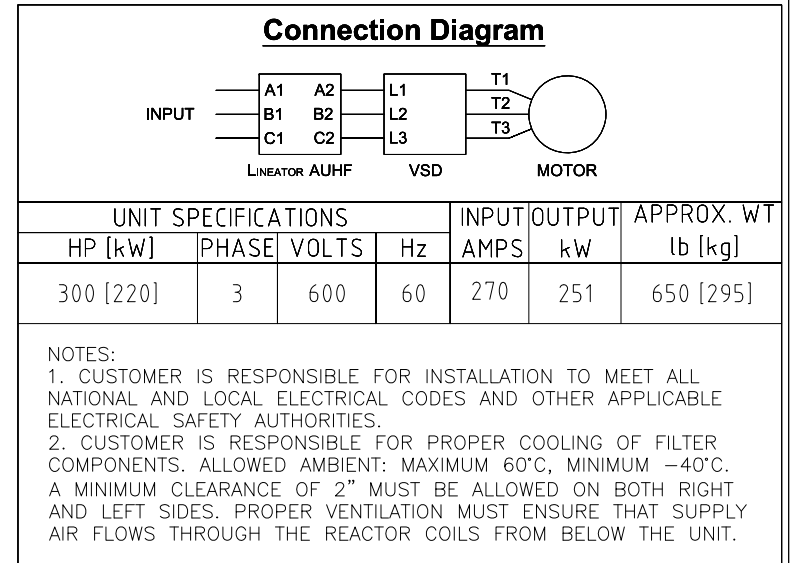
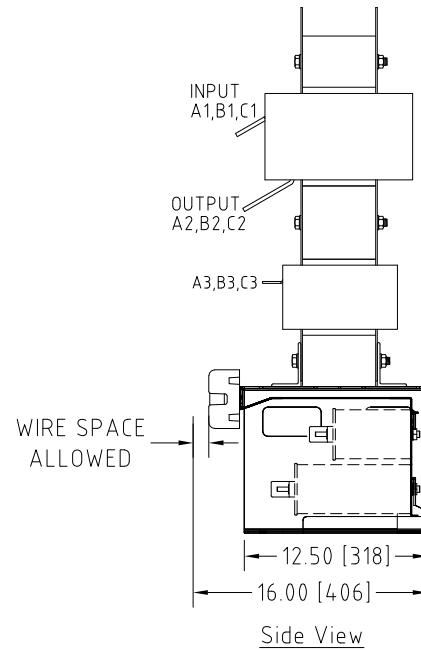


Rev. No.	Revision Note	Date	By	Checked
A15	REVISED NAMEPLATE DATA	26-OCT-2020	CG	AH
A16	REVISED MAGNETICS DESIGN	31-JAN-2022	CG	BDK



Two Ground Lugs AWG 2/0-14



INPUT A1,B1,C1 & OUTPUT A2,B2,C2
TERMINALS
THICKNESS: 1/4"

NOTE:
This open style unit is not equipped with panel mount brackets. If panel mounting is desired, a suitable bracket must be provided by others.

MIRUS International Inc.

31 Sun Pac Boulevard, Brampton, ON, Canada L6S 5P6
Tel: (905) 494-1120 Fax: (905) 494-1140 Toll Free: 1-888-T0 MIRUS

Unless otherwise specified, dimensions are in inches and [mm].	Drawn By EH	Date Created 04-Jul-07	Checked by YM	Approved by - date YM-04-Jul-07	Scale NTS
The information contained herein is the sole property of MIRUS International Inc. Any form of reproduction, distribution and/or disclosure of this information, all or in part, is strictly prohibited without the express written consent of MIRUS International Inc.					
Title 300 HP, 600 V, 60 Hz LINEATOR™ AUHF (Open Style)			Revision A16	Sheet 1/1	
Filename AUHF-300-600-60-D-E0-A16					