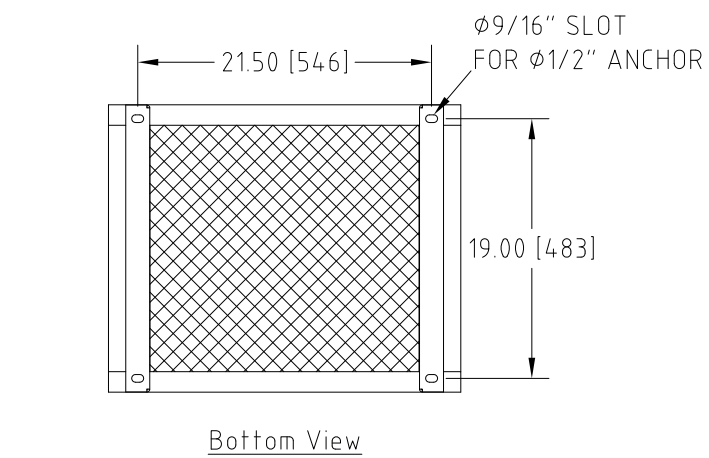
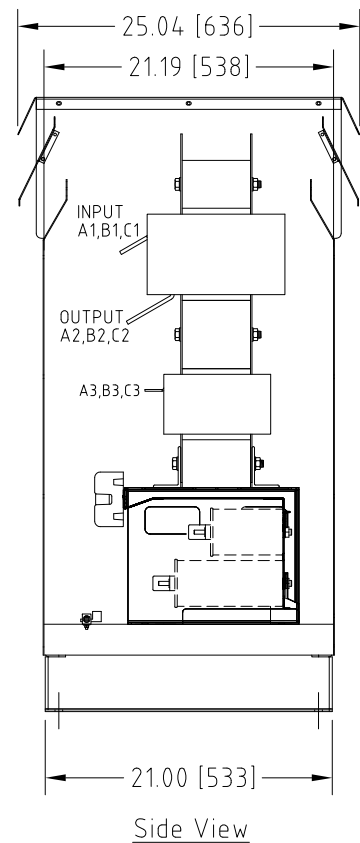
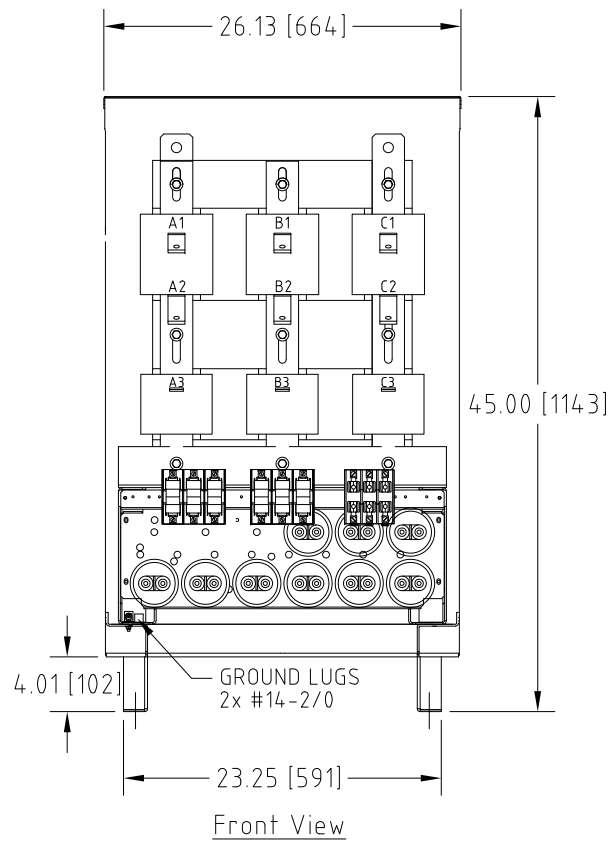


Rev. No.	Revision Note	Date	By	Checked
A15	REVISED NAMEPLATE DATA	26-OCT-2020	CG	AH
A16	REVISED MAGNETICS DESIGN	31-JAN-2022	CG	BDK

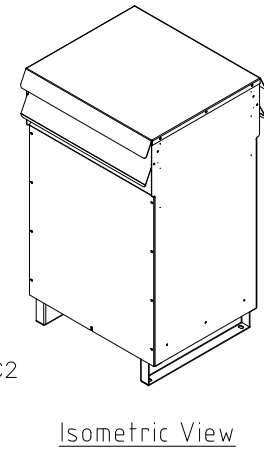
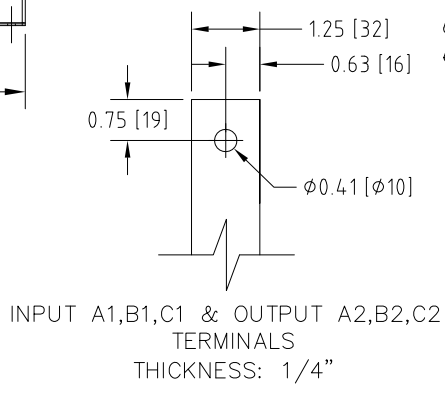


### Connection Diagram

UNIT SPECIFICATIONS				INPUT	OUTPUT	APPROX. WT
HP [kW]	PHASE	VOLTS	Hz	AMPS	kW	lb [kg]
300 [220]	3	600	60	270	251	800 [363]

NOTES:

- Customer is responsible for installation to meet all national and local electrical codes and other applicable electrical safety authorities.
- Type 3R Enclosure requires only front access but minimum 6" clearance should be provided at rear for proper ventilation..



<b>MIRUS International Inc.</b>		31 Sun Pac Boulevard, Brampton, ON, Canada L6S 5P6 Tel: (905) 494-1120 Fax: (905) 494-1140 Toll Free: 1-888-T0 MIRUS				
		Unless otherwise specified, dimensions are in inches and [mm].	Drawn By EH	Date Created 04-Jul-07	Checked by YM	Approved by - date YM-04-Jul-07
The information contained herein is the sole property of MIRUS International Inc. Any form of reproduction, distribution and/or disclosure of this information, all or in part, is strictly prohibited without the express written consent of MIRUS International Inc.		Title 300 HP, 600 V, 60 Hz LINEATOR™ AUHF (Type-3R)			Revision A16	Sheet 1/1
		Filename AUHF-300-600-60-D-E1-A16				