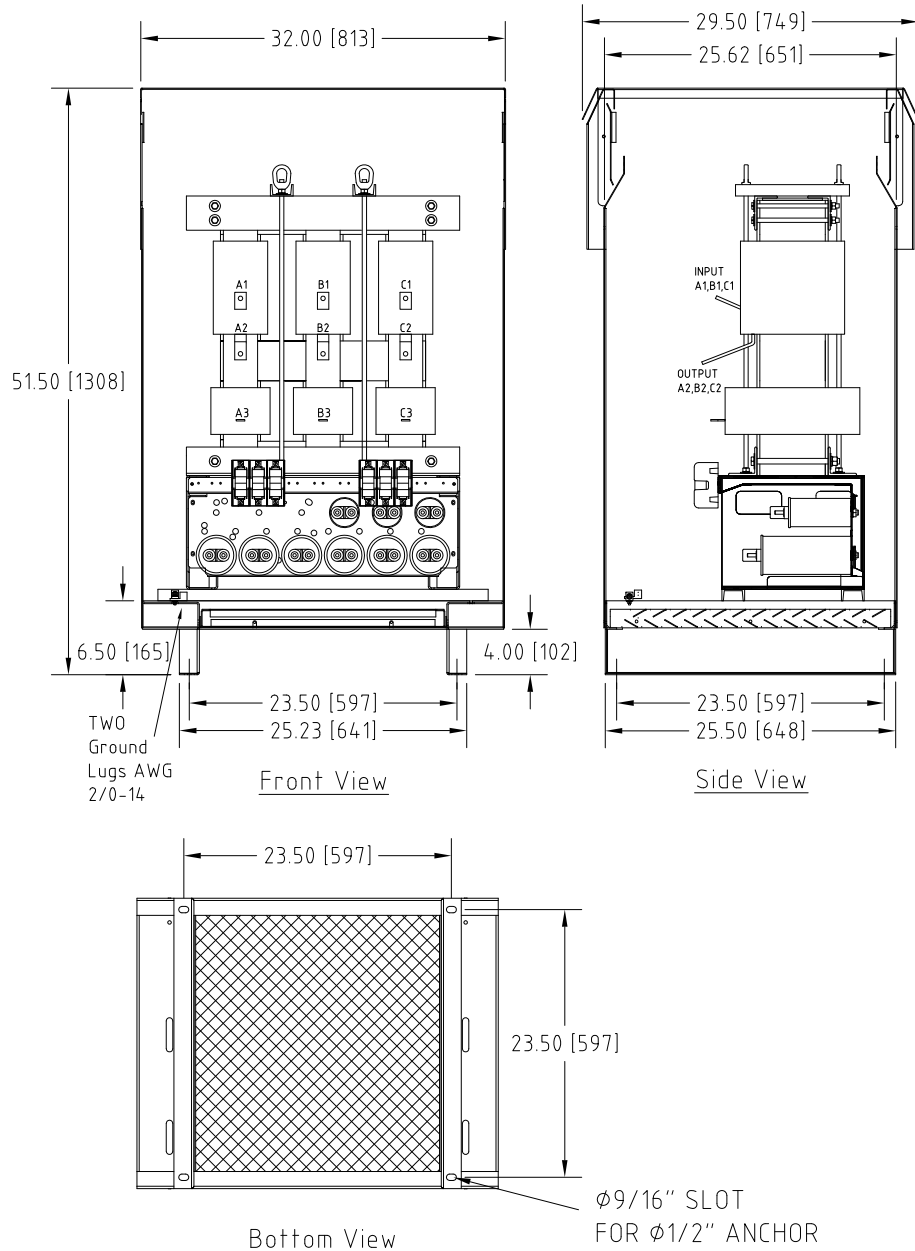
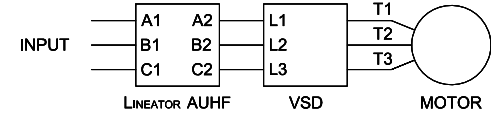


Rev. No.	Revision Note	Date	By	Checked
A14	CAPACITORS REVISED	25-NOV-14	CG	AH
A15	REVISED NAMEPLATE DATA	26-OCT-2020	CG	AH



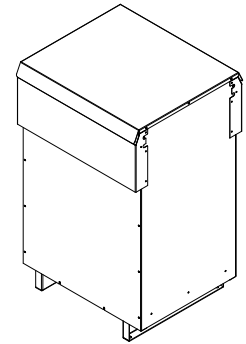
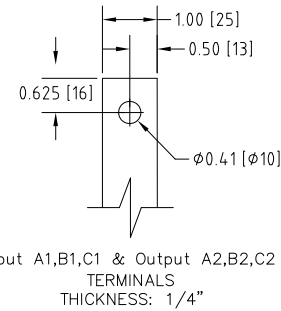
Connection Diagram



UNIT SPECIFICATIONS				INPUT	OUTPUT	APPROX. WT
HP [kW]	PHASE	VOLTS	Hz	AMPS	kW	lb [kg]
300 [220]	3	600	60	270	251	789 [358]

NOTES:

- Customer is responsible for installation to meet all national and local electrical codes and other applicable electrical safety authorities.
- Type 3R Enhanced enclosure suitable for outdoor installation. Only front access is required but minimum 6" clearance should be provided at rear for proper ventilation.



Isometric View

MIRUS International Inc.		31 Sun Pac Boulevard, Brampton, ON, Canada L6S 5P6 Tel: (905) 494-1120 Fax: (905) 494-1140 Toll Free: 1-888-T0 MIRUS			
Unless otherwise specified, dimensions are in inches and [mm].	Drawn By EH	Date Created 04-Jul-07	Checked by YM	Approved by - date YM-04-Jul-07	Scale NTS
The information contained herein is the sole property of MIRUS International Inc. Any form of reproduction, distribution and/or disclosure of this information, all or in part, is strictly prohibited without the express written consent of MIRUS International Inc.		Title 300 HP, 600 V, 60 Hz LINEATOR™ AUHF (Type-3R Enh.)		Filename AUHF-300-600-60-D-E1E-A15	Revision A15
				Sheet 1/1	