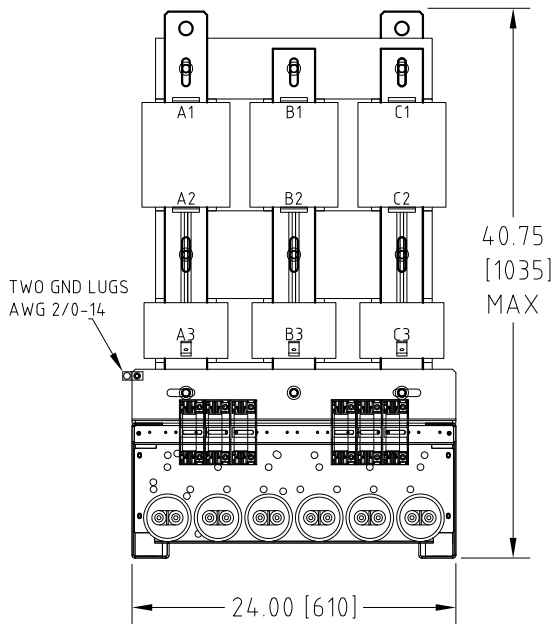
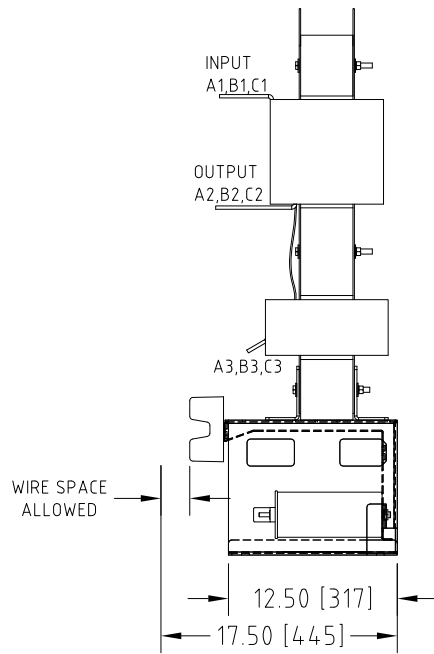


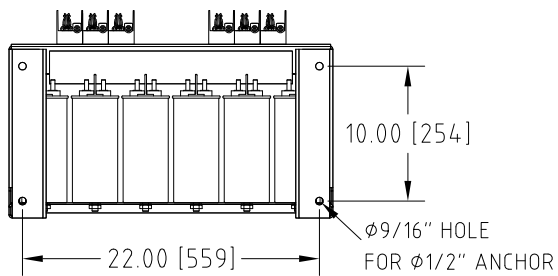
Rev. No.	Revision Note	Date	By	Checked
A25	REVISED REACTOR AND CAPACITOR BOARD DESIGN	29-JAN-2018	CG	BDK
A26	REVISED REACTOR AND CAPACITOR BOARD DESIGN	05-DEC-2019	CG	BDK



FRONT VIEW

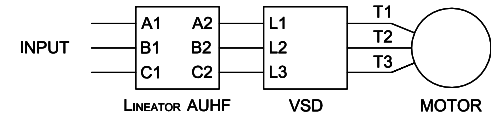


SIDE VIEW



BOTTOM VIEW

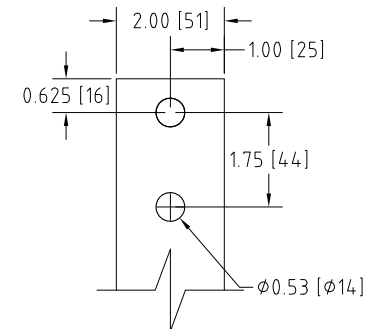
Connection Diagram



UNIT SPECIFICATIONS				INPUT	OUTPUT	APPROX. WT
HP [kW]	PHASE	VOLTS	Hz	AMPS	kW	lb [kg]
350 [250]	3	480	60	395	292	700 [318]

NOTES:

- CUSTOMER IS RESPONSIBLE FOR INSTALLATION TO MEET ALL NATIONAL AND LOCAL ELECTRICAL CODES AND OTHER APPLICABLE ELECTRICAL SAFETY AUTHORITIES.
- CUSTOMER IS RESPONSIBLE FOR PROPER COOLING OF FILTER COMPONENTS. ALLOWED AMBIENT: MAXIMUM 60°C, MINIMUM -40°C. A MINIMUM CLEARANCE OF 2" MUST BE ALLOWED ON BOTH RIGHT AND LEFT SIDES. PROPER VENTILATION MUST ENSURE THAT SUPPLY AIR FLOWS THROUGH THE REACTOR COILS FROM BELOW THE UNIT.



Input A1,B1,C1 & Output A2,B2,C2
TERMINALS

THICKNESS: 1/4"

MIRUS International Inc.		31 Sun Pac Boulevard, Brampton, ON, Canada L6S 5P6 Tel: (905) 494-1120 Fax: (905) 494-1140 Toll Free: 1-888-TO MIRUS			
Unless otherwise specified, dimensions are in inches and [mm].	Drawn By XYZ	Date Created 09-MAR-10	Checked by YM	Approved by - date YM-09-MAR-10	Scale NTS
The information contained herein is the sole property of MIRUS International Inc. Any form of reproduction, distribution and/or disclosure of this information, all or in part, is strictly prohibited without the express written consent of MIRUS International Inc.		Title 350 HP, 480 V, 60 Hz LINEATOR™ AUHF (Open Style)			Sheet 1/1
		Filename AUHF-350-480-60-D-E0-A26	Revision A26		