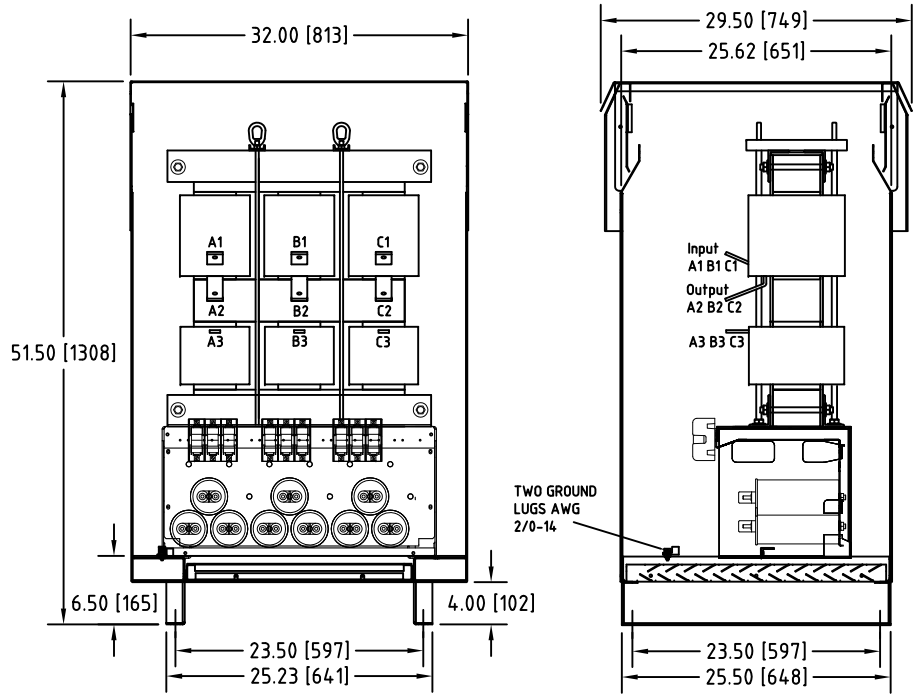
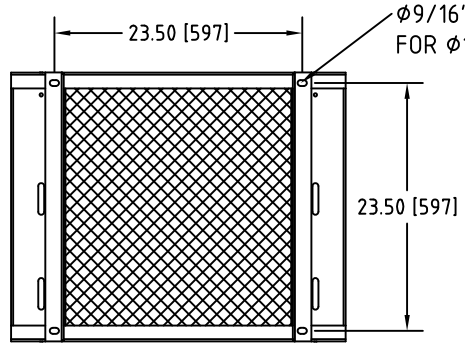


Rev. No.	Revision Note	Date	By	Checked
A12	Revised desing for 3 caps per phase	11 FEB 14	YM	YM
A13	REVISED CAPACITOR LOCATIONS	17-JUN-2016	CG	YM

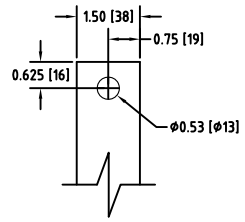


Front View

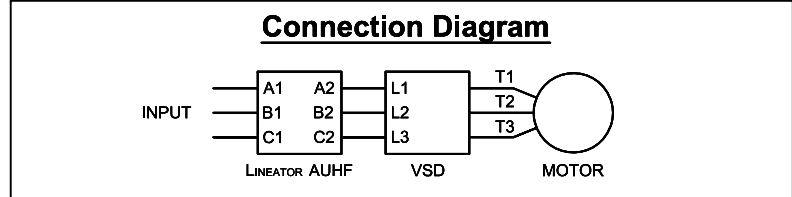
Side View



Bottom View



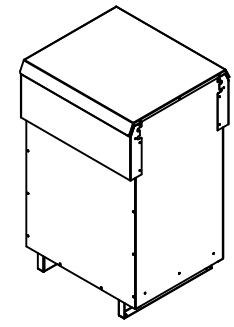
Input A1,B1,C1 & Output A2,B2,C2
TERMINALS
THICKNESS 1/4"



Connection Diagram

UNIT SPECIFICATIONS				INPUT	OUTPUT	APPROX. WT
HP [kW]	PHASE	VOLTS	Hz	AMPS	kW	lb [kg]
350 [250]	3	600	60	323	310	1108 [503]

NOTES:
 1. Customer is responsible for installation to meet all national and local electrical codes and other applicable electrical safety authorities.
 2. Type 3R Enhanced enclosure suitable for outdoor installation. Only front access is required but minimum 6" clearance should be provided at rear for proper ventilation.



Isometric View

MIRUS International Inc. 31 Sun Pac Boulevard, Brampton, ON, Canada L6S 5P6
 Tel:(905) 494-1120 Fax: (905) 494-1140 Toll Free: 1-888-TO MIRUS

Unless otherwise specified, dimensions are in inches and [mm].	Drawn By CG	Date Created 19-JUN-08	Checked by YM	Approved by - date YM-19-JUN-08	Scale NTS
The information contained herein is the sole property of MIRUS International Inc. Any form of reproduction, distribution and/or disclosure of this information, all or in part, is strictly prohibited without the express written consent of MIRUS International Inc.			Title 350HP, 600V, 60Hz LINEATOR™ AUHF (Type-3R Enh.)		
Filename AUHF-350-600-60-D-E1E-A13			Revision A13	Sheet 1/1	