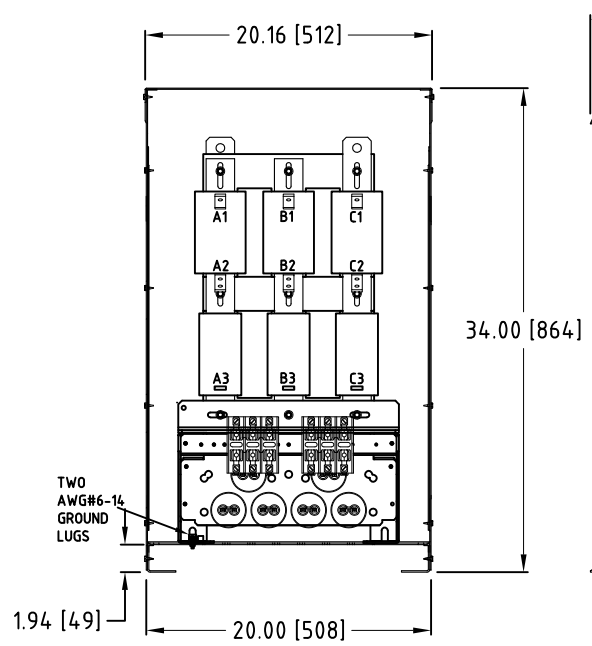
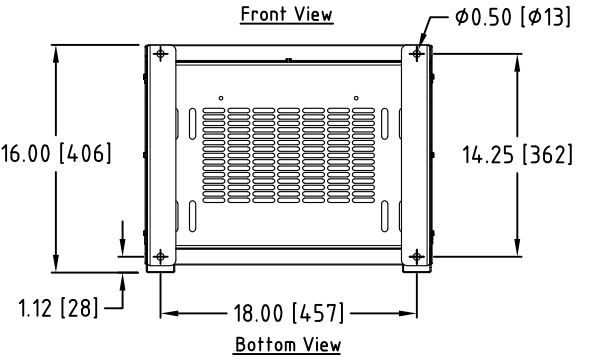


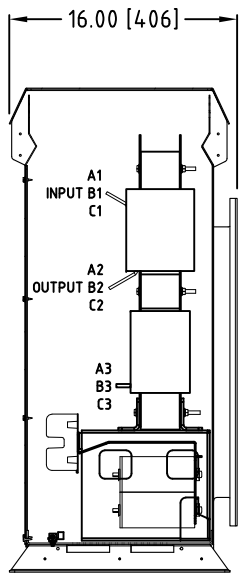
Rev. No.	Revision Note	Date	By	Checked
A3	CHANGED FUSES	24-JUN-14	AH	YM
A4	REVISED BRACKET STYLE	18-AUG-2021	CG	BDK



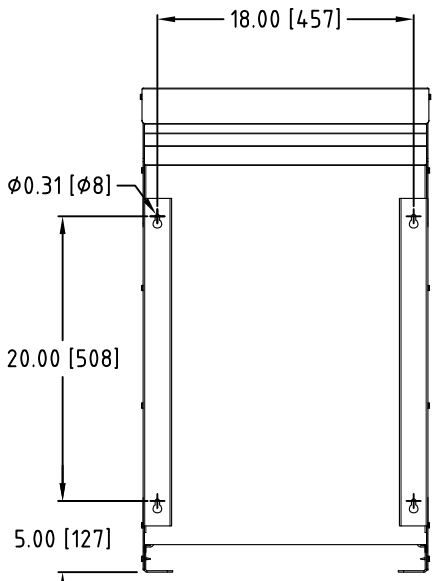
Front View



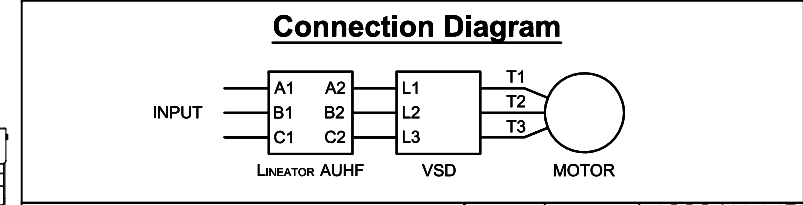
Bottom View



Side View



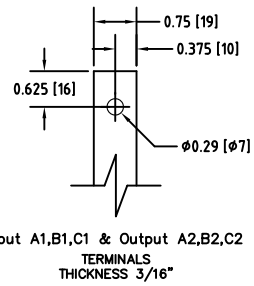
Back View



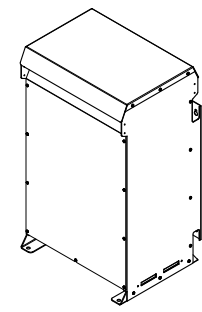
Connection Diagram

UNIT SPECIFICATIONS				INPUT	OUTPUT	APPROX. WT
HP [kW]	PHASE	VOLTS	Hz	AMPS	kW	lb [kg]
40 [30]	3	208	60	105	34	218 [99]

NOTES:  
 1. Customer is responsible for installation to meet all national and local electrical codes and other applicable electrical safety authorities.  
 2. Type 3R Enclosure requires only front access but when floor mounting a minimum of 6" clearance should be provided at rear for proper ventilation.



Input A1,B1,C1 & Output A2,B2,C2  
TERMINALS  
THICKNESS 3/16"



Isometric View

<b>MIRUS International Inc.</b>		31 Sun Pac Boulevard, Brampton, ON, Canada L6S 5P6 Tel:(905) 494-1120 Fax: (905) 494-1140 Toll Free: 1-888-TO MIRUS			
Unless otherwise specified, dimensions are in inches and [mm].	Drawn By EN	Date Created 19-JUL-07	Checked by YM	Approved by - date YM-19-JUL-07	Scale NTS
The information contained herein is the sole property of MIRUS International Inc. Any form of reproduction, distribution and/or disclosure of this information, all or in part, is strictly prohibited without the express written consent of MIRUS International Inc.		Title 40 HP, 208 V, 60 Hz LINEATOR™ AUHF (Type-3R)			
		Filename AUHF-40-208-60-D-E1-A4	Revision A4	Sheet 1/1	