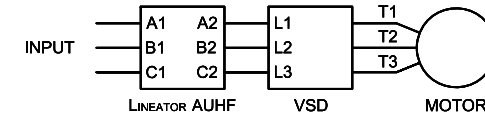


| Rev. No. | Revision Note         | Date        | By | Checked |
|----------|-----------------------|-------------|----|---------|
| A3       | CHANGED FUSES         | 24-JUN-14   | AH | YM      |
| A4       | REVISED BRACKET STYLE | 18-AUG-2021 | CG | BDK     |

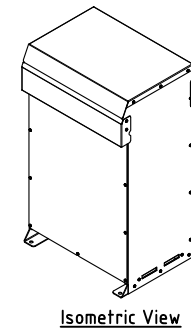
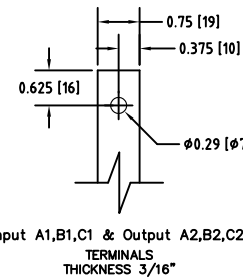
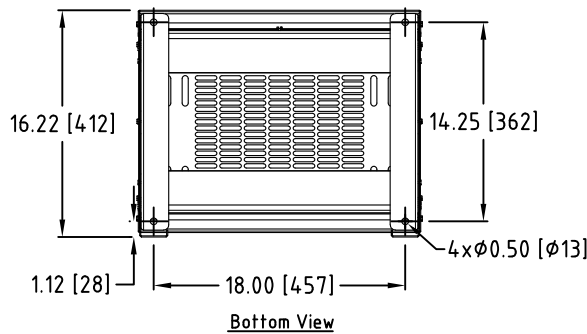
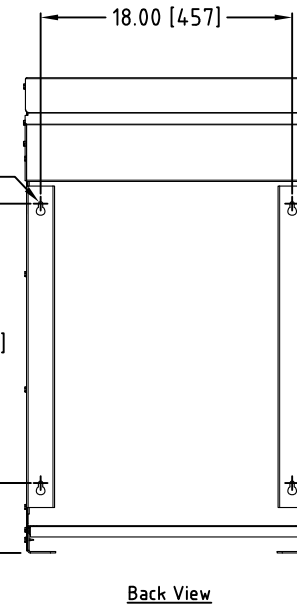
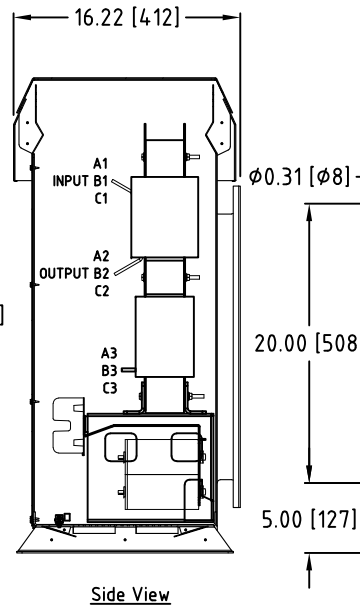
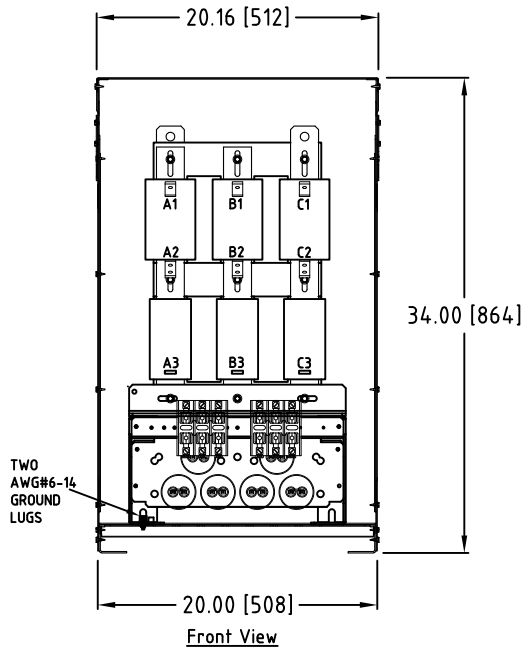
### Connection Diagram



| UNIT SPECIFICATIONS |       |       |    | INPUT | OUTPUT | APPROX. WT |
|---------------------|-------|-------|----|-------|--------|------------|
| HP [kW]             | PHASE | VOLTS | Hz | AMPS  | kW     | lb [kg]    |
| 40 [30]             | 3     | 208   | 60 | 105   | 34     | 228 [103]  |

#### NOTES:

- Customer is responsible for installation to meet all national and local electrical codes and other applicable electrical safety authorities.
- Type 3R Enhanced enclosure suitable for outdoor installation.
- Only front access is required but when floor mounting a minimum of 6" clearance should be provided at rear for proper ventilation.



|  |                |  |                  |                                    |              |
|--|----------------|--|------------------|------------------------------------|--------------|
| <b>MIRUS International Inc.</b>  |                | 31 Sun Pac Boulevard, Brampton, ON, Canada L6S 5P6<br>Tel:(905) 494-1120 Fax: (905) 494-1140 Toll Free: 1-888-TO MIRUS |                  |                                    |              |
| Unless otherwise specified, dimensions are in inches and [mm].   | Drawn By<br>EN | Date Created<br>19-JUL-07  | Checked by<br>YM | Approved by - date<br>YM-19-JUL-07 | Scale<br>NTS |
| The information contained herein is the sole property of MIRUS International Inc. Any form of reproduction, distribution and/or disclosure of this information, all or in part, is strictly prohibited without the express written consent of MIRUS International Inc. |                | Title<br>40 HP, 208 V, 60 Hz<br>LINEATOR™ AUHF (Type-3R Enh.)  |                  |                                    |              |
|  |                | Filename<br>AUHF-40-208-60-D-E1E-A4  | Revision<br>A4   | Sheet<br>1/1                       |              |