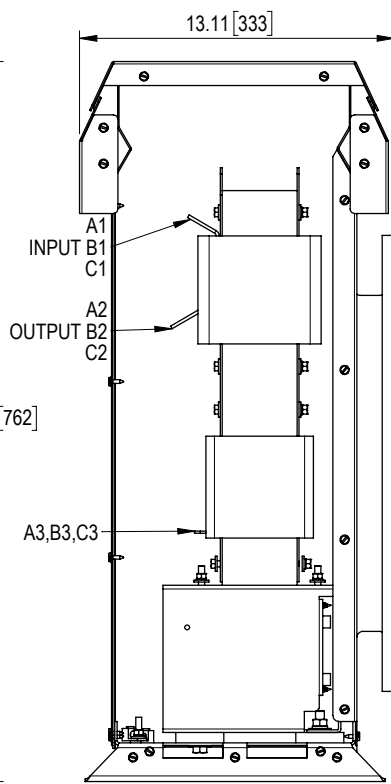
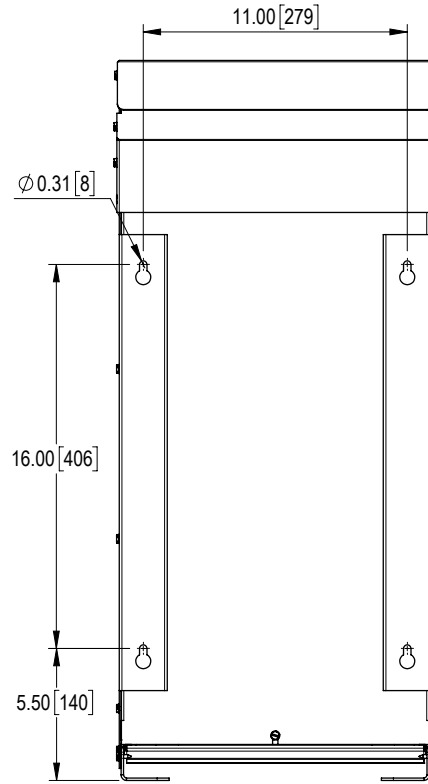


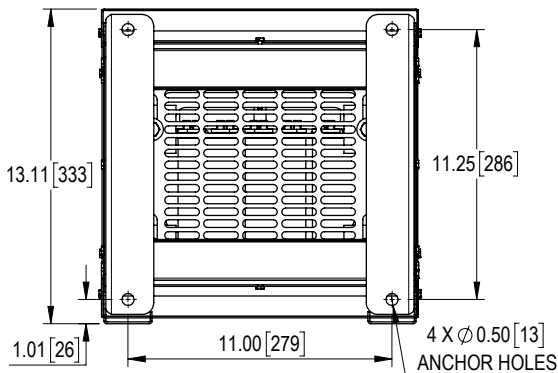
FRONT VIEW



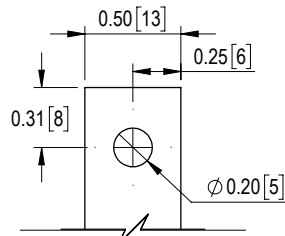
SIDE VIEW



BACK VIEW



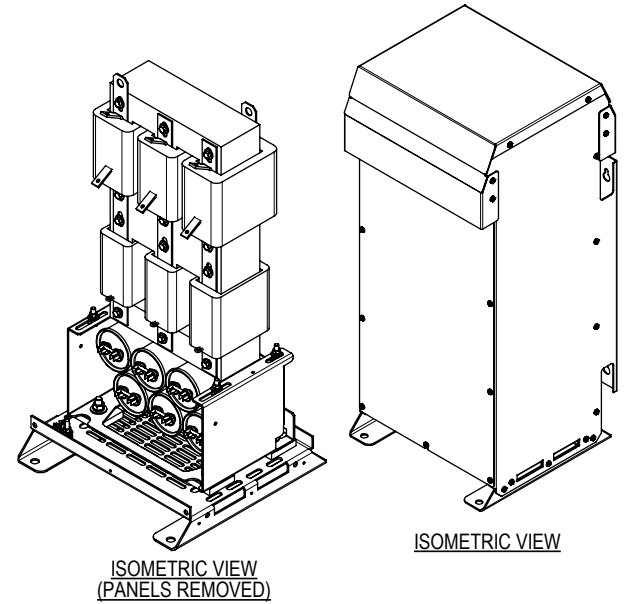
BOTTOM VIEW



INPUT A1,B1,C1 & OUTPUT A2,B2,C2 TERMINALS THICKNESS: 1/8"

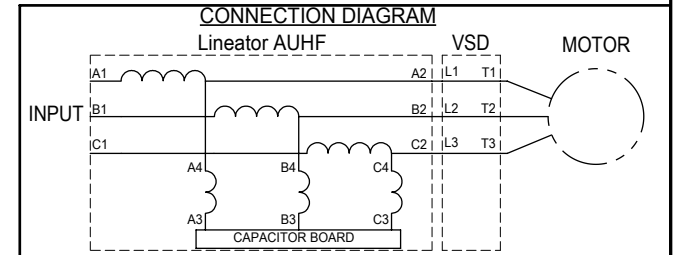
- NOTES:
 1. CUSTOMER IS RESPONSIBLE FOR INSTALLATION TO MEET ALL NATIONAL AND LOCAL ELECTRICAL CODES AND OTHER APPLICABLE ELECTRICAL SAFETY AUTHORITIES.
 2. TYPE 3R ENHANCED ENCLOSURE REQUIRES ONLY FRONT ACCESS BUT MINIMUM 6" CLEARANCE SHOULD BE PROVIDED AT REAR FOR PROPER VENTILATION.

REV	DESCRIPTION	DATE	BY	APP



ISOMETRIC VIEW (PANELS REMOVED)

ISOMETRIC VIEW



UNIT SPECIFICATIONS				INPUT AMPS	OUTPUT AMPS	OUTPUT kW	HEAT LOSS W	APPROX. WT lbs [kg]
HP [kW]	PHASE	VOLTS	Hz	46	49	34	448	170 [77]
40 [30]	3	480	60					

THE INFORMATION CONTAINED HEREIN IS THE SOLE PROPERTY OF MIRUS INTERNATIONAL INC. ANY FORM OF REPRODUCTION, DISTRIBUTION AND/OR DISCLOSURE OF THIS INFORMATION, ALL OR IN PART, IS STRICTLY PROHIBITED WITHOUT THE EXPRESS WRITTEN CONSENT OF MIRUS INTERNATIONAL INC.

DRAWN: CG APPROVED: BDK
 SCALE: NTS DATE: 16-SEP-2022
MIRUS International Inc.
 31 Sun Pac Boulevard, Brampton Ontario Canada L6S 5P6
 1-888-TO MIRUS www.mirusinternational.com

TITLE: 40 HP, 480 V, 60 Hz LINEATOR AUHF, ENH ENCLOSED

ELEC FILE NO. AUHF-40-480-60-D-EX-R0	DRAWING NO. AUHF-40-480-60-D-E1E	SHT OF 1 1	REV R0
---	-------------------------------------	---------------	-----------