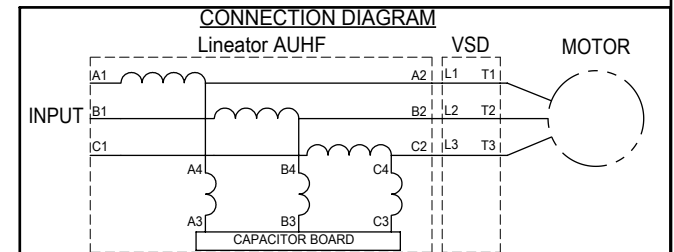
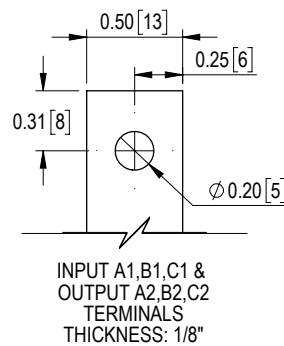
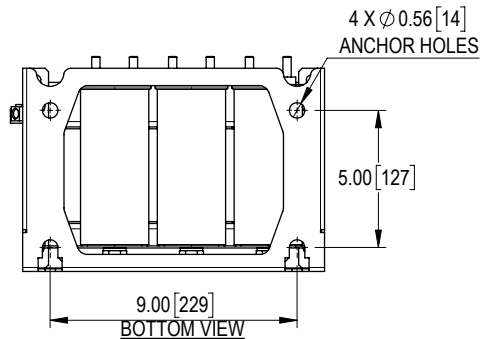
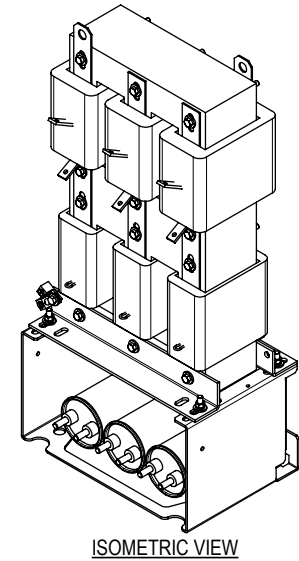
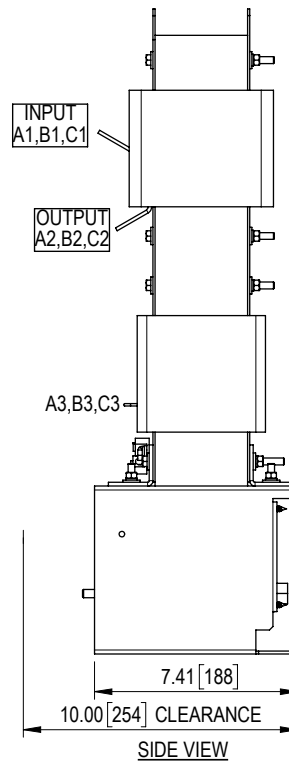
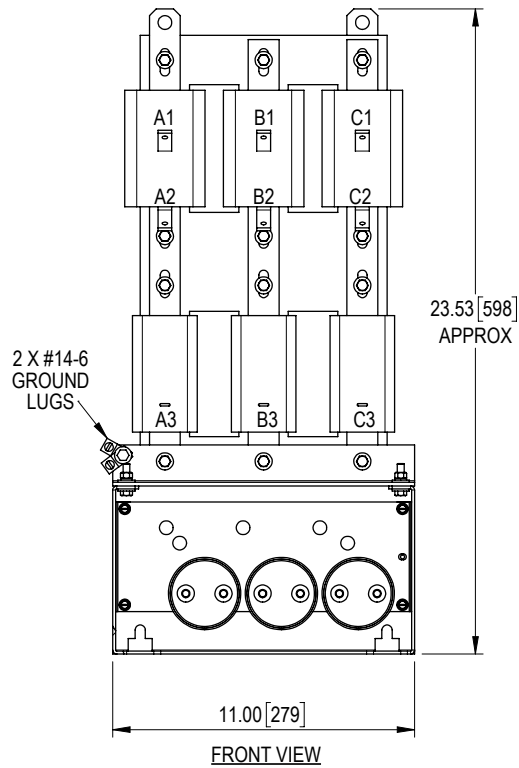


REV	DESCRIPTION	DATE	BY	APP



UNIT SPECIFICATIONS				INPUT AMPS	OUTPUT AMPS	OUTPUT kW	HEAT LOSS W	APPROX. WT lbs [kg]
HP [kW]	PHASE	VOLTS	Hz	37	39	34	448	135 [61]
40 [30]	3	600	60					



THE INFORMATION CONTAINED HEREIN IS THE SOLE PROPERTY OF MIRUS INTERNATIONAL INC. ANY FORM OF REPRODUCTION, DISTRIBUTION AND/OR DISCLOSURE OF THIS INFORMATION, ALL OR IN PART, IS STRICTLY PROHIBITED WITHOUT THE EXPRESS WRITTEN CONSENT OF MIRUS INTERNATIONAL INC.

DRAWN CG	APPROVED XX	MIRUS International Inc. 31 Sun Pac Boulevard, Brampton Ontario Canada L6S 5P6 1-888-TO MIRUS www.mirusinternational.com
SCALE NTS	DATE 17-APR-2023	

TITLE

40 HP, 600 V, 60 Hz
LINEATOR AUHF, OPEN STYLE

ELEC FILE NO. AUHF-40-600-60-D-EX-R0	DRAWING NO. AUHF-40-600-60-D-E0	SHT OF	1 1	REV 0
---	------------------------------------	-----------	--------	----------

NOTES:

- CUSTOMER IS RESPONSIBLE FOR INSTALLATION TO MEET ALL NATIONAL AND LOCAL ELECTRICAL CODES AND OTHER APPLICABLE ELECTRICAL SAFETY AUTHORITIES.
- CUSTOMER IS RESPONSIBLE FOR PROPER COOLING OF FILTER COMPONENTS. ALLOWED AMBIENT: MAXIMUM 60 °C, MINIMUM -40 °C. A MINIMUM CLEARANCE OF 2" MUST BE ALLOWED ON BOTH RIGHT AND LEFT SIDES. PROPER VENTILATION MUST ENSURE THAT SUPPLY AIR FLOWS THROUGH THE REACTOR COILS FROM BELOW THE UNIT.