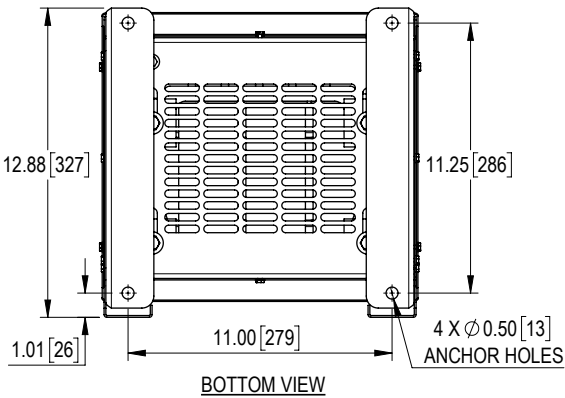
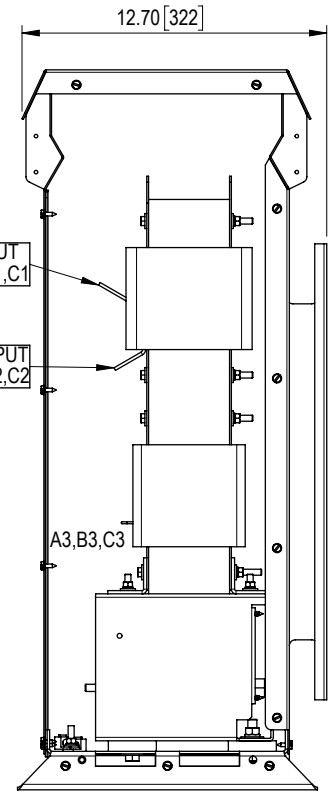


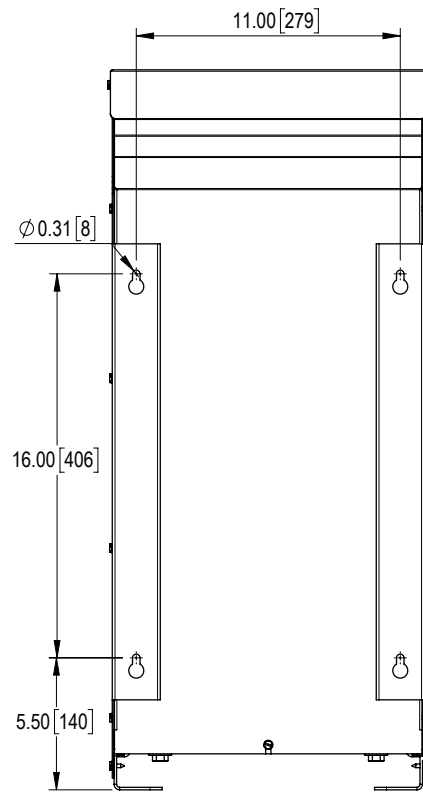
FRONT VIEW



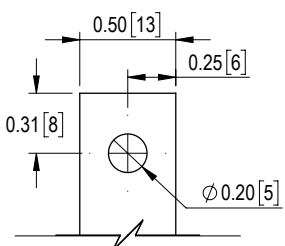
BOTTOM VIEW



SIDE VIEW



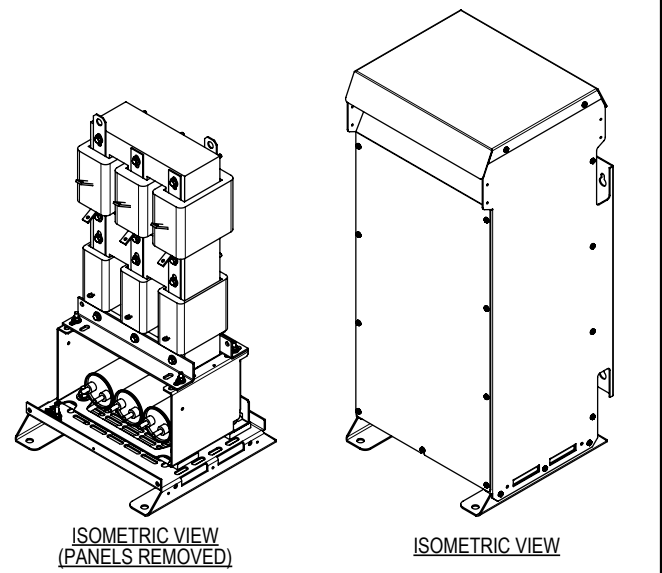
BACK VIEW



INPUT A1, B1, C1 & OUTPUT A2, B2, C2 TERMINALS THICKNESS: 1/8"

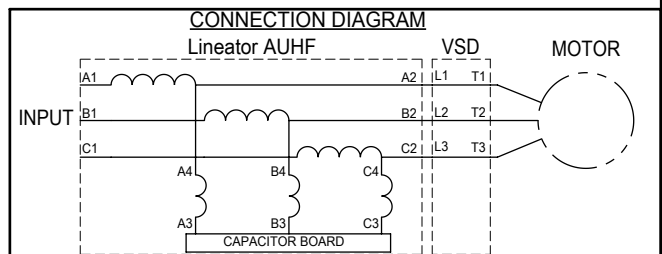
NOTES:
 1. CUSTOMER IS RESPONSIBLE FOR INSTALLATION TO MEET ALL NATIONAL AND LOCAL ELECTRICAL CODES AND OTHER APPLICABLE ELECTRICAL SAFETY AUTHORITIES.
 2. TYPE 3R ENCLOSURE REQUIRES ONLY FRONT ACCESS BUT MINIMUM 6" CLEARANCE SHOULD BE PROVIDED AT REAR FOR PROPER VENTILATION.

REV	DESCRIPTION	DATE	BY	APP



ISOMETRIC VIEW (PANELS REMOVED)

ISOMETRIC VIEW



UNIT SPECIFICATIONS				INPUT AMPS	OUTPUT AMPS	OUTPUT kW	HEAT LOSS W	APPROX. WT lbs [kg]
HP [kW]	PHASE	VOLTS	Hz	37	39	34	448	175 [79]
40 [30]	3	600	60					

THE INFORMATION CONTAINED HEREIN IS THE SOLE PROPERTY OF MIRUS INTERNATIONAL INC. ANY FORM OF REPRODUCTION, DISTRIBUTION AND/OR DISCLOSURE OF THIS INFORMATION, ALL OR IN PART, IS STRICTLY PROHIBITED WITHOUT THE EXPRESS WRITTEN CONSENT OF MIRUS INTERNATIONAL INC.

DRAWN CG	APPROVED BDK	MIRUS International Inc. 31 Sun Pac Boulevard, Brampton Ontario Canada L6S 5P6 1-888-TO MIRUS www.mirusinternational.com
SCALE NTS	DATE 17-APR-2023	

TITLE
 40 HP, 600 V, 60 Hz
 LINEATOR AUHF, ENCLOSED

ELEC FILE NO. AUHF-40-600-60-D-EX-R0	DRAWING NO. AUHF-40-600-60-D-E1	SHT 1 OF 1	REV 0
--------------------------------------	---------------------------------	------------	-------