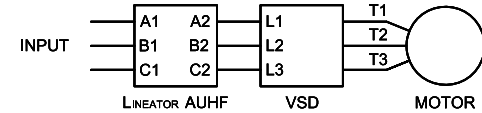


| Rev. No. | Revision Note             | Date      | By | Checked |
|----------|---------------------------|-----------|----|---------|
| A15      | REVISED CAPACITOR BRACKET | 17-JUN-15 | AH | CG      |
| A16      | REVISED R1 TERMINALS      | 25-NOV-15 | CG | AH      |

### Connection Diagram

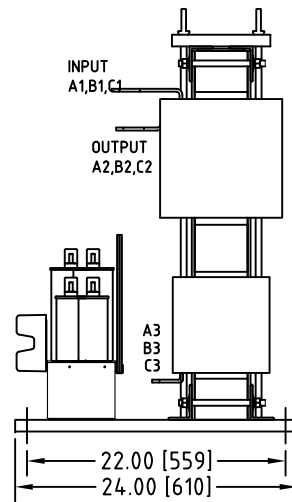
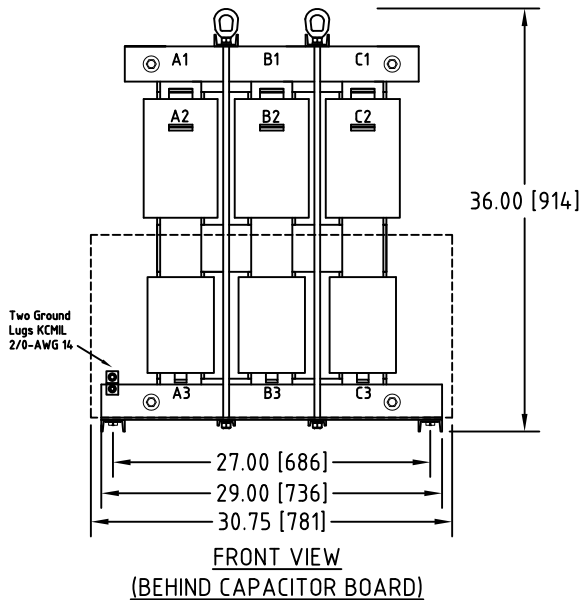


### UNIT SPECIFICATIONS

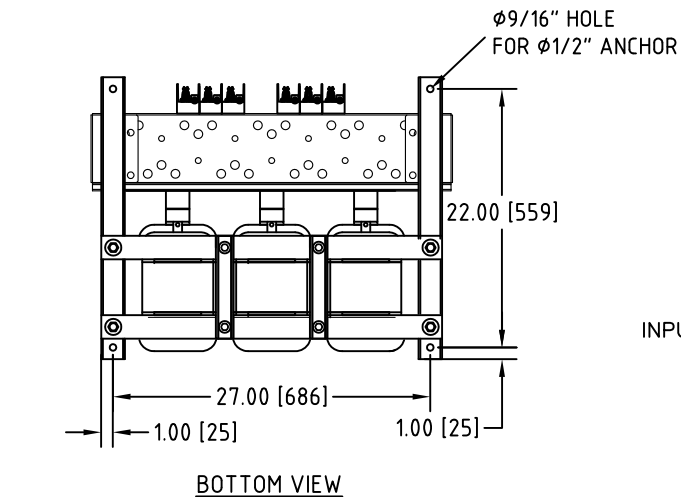
| HP [kW]   | PHASE | VOLTS | Hz | INPUT AMPS | OUTPUT kW | APPROX. WT lb [kg] |
|-----------|-------|-------|----|------------|-----------|--------------------|
| 400 [315] | 3     | 480   | 60 | 470        | 349       | 560 [256]          |

#### NOTES:

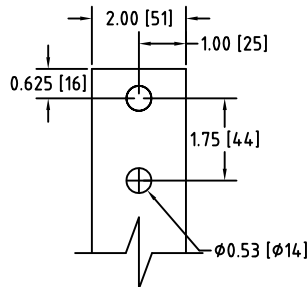
- CUSTOMER IS RESPONSIBLE FOR INSTALLATION TO MEET ALL NATIONAL AND LOCAL ELECTRICAL CODES AND OTHER APPLICABLE ELECTRICAL SAFETY AUTHORITIES.
- CUSTOMER IS RESPONSIBLE FOR PROPER COOLING OF FILTER COMPONENTS. ALLOWED AMBIENT: MAXIMUM 60°C, MINIMUM -40°C. A MINIMUM CLEARANCE OF 2" MUST BE ALLOWED ON BOTH RIGHT AND LEFT SIDES. PROPER VENTILATION MUST ENSURE THAT SUPPLY AIR FLOWS THROUGH THE REACTOR COILS FROM BELOW THE UNIT.



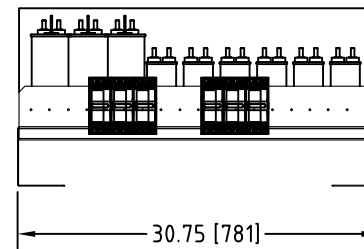
SIDE VIEW



BOTTOM VIEW



INPUT A1,B1,C1 & OUTPUT A2,B2,C2  
TERMINALS  
THICKNESS: 1/4"



CAPACITOR BOARD

## MIRUS International Inc.

31 Sun Pac Boulevard, Brampton, ON, Canada L6S 5P6  
Tel: (905) 494-1120 Fax: (905) 494-1140 Toll Free: 1-888-T0 MIRUS

|                                                                                                                                                                                                                                                                        |                |                           |                                                              |                                    |              |
|------------------------------------------------------------------------------------------------------------------------------------------------------------------------------------------------------------------------------------------------------------------------|----------------|---------------------------|--------------------------------------------------------------|------------------------------------|--------------|
| Unless otherwise specified, dimensions are in inches and [mm].                                                                                                                                                                                                         | Drawn By<br>BW | Date Created<br>03-Dec-07 | Checked by<br>YM                                             | Approved by - date<br>YM-03-Dec-07 | Scale<br>NTS |
| The information contained herein is the sole property of MIRUS International Inc. Any form of reproduction, distribution and/or disclosure of this information, all or in part, is strictly prohibited without the express written consent of MIRUS International Inc. |                |                           | Title<br>400 HP, 480 V, 60 Hz<br>LINEATOR™ AUHF (Open Style) |                                    |              |
| Filename<br>AUHF-400-480-60-D-E0-A16                                                                                                                                                                                                                                   |                |                           | Revision<br>A16                                              | Sheet<br>1/1                       |              |